

ENGINEERING FOR PERFECTION

Since 1946!



*Premium
Die Sets For
Rifle Cartridges*

-2023-

*Premium
Die Sets For
Handgun Cartridges*



REDDING

USA

Made Only in America

2023 and looking forward !

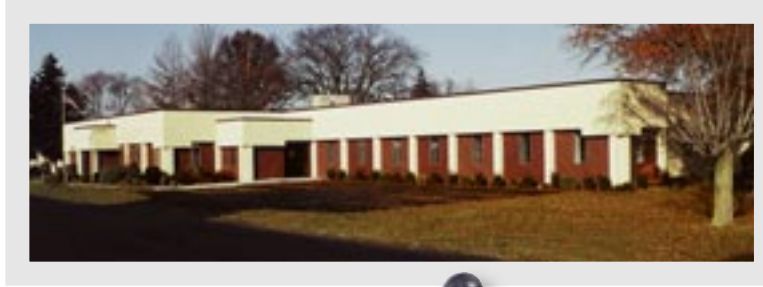
Welcome to the pages of our 2023 catalog. Redding products have been made here in rural upstate New York since 1946. Our family of employees have manufactured Redding products at this location for nearly 8 decades, building to a quality standard that is the envy of the world.

Over the years, there have been several generations of family members who have worked here side by side, proudly sharing our commitment to quality. The most recent of the extreme challenges and disruptions that our team has faced and overcome only strengthens our resolve and determination to persevere and pave the way for our future.

We are Parents, Grandparents, Brothers and Sisters. We are Veterans, First Responders, Firefighters and Community Volunteers. We are also hunters, target shooters, concealed carry permit holders, Hunter Safety Instructors and believers in the freedoms upon which this country was founded. Ultimately, we are shooters that not only use and depend on the products we make, but also understand your need to trust in our products for those "Once in a Lifetime" moments.

You deserve nothing less than Redding's total commitment to our never-ending *Pursuit of Perfection*.

Richard W. Beebe, President/CEO and the Redding Family



Latest Innovations . . .

NGEN CARBIDE

Dies for Handgun Cartridges

"The first significant breakthrough in carbide die design in over 40 years"

See Pages 4, 5 & 16



Master Hunter Die Sets

Added Category II See page 17

Stainless Steel Crossbolt Lock Rings

Single lock ring Item No. 11071 . . . \$15.90

Pack of 3 w/storage Box Item No. 11073 . . . \$42.90

Bulk pkg of 7 Item No. 11077 . . . \$95.40

Competition Upgrade for Powder Measures



PR-50 Hemispherical Metering Chamber

See pages 22 & 40

Accessory Storage Box Item No. 11070. \$6.80

Custom Calibers

6mm ARC • 338 RPM WBY • 30 SUPER CARRY

See Die Reference Chart

Die additions for newest cartridges

7mm PRC • 8.6 BLK • 6.8 Western • 22 Creedmoor

See Pages 8, 9, 12, 13 & 14

Imperial Lubricants – by Redding



Highly respected Imperial Lubricants complement the Redding product line and are produced by Redding.

Imperial Sizing Die Wax is the most recognized product of the line. Because of its superior performance and ease of application and cleanup, this product has been a favorite of knowledgeable reloaders for years. Redding is committed to maintaining the integrity of this product by producing it to the exact formulation that made it so popular.

Imperial Dry Neck Lube is the perfect lube for those who neck size. This product can be used inside and outside the case neck, reducing the drag on both the die and size button without concern about powder contamination.

Imperial Bio-Green Case Lube

A petroleum free, super duty case forming and resizing lubricant made from biodegradable plant materials. Will not stain your brass – easy water clean up. **Imperial Bio-Green has proven to be our best liquid formulation ever . . . and is now included in all kits.**



ITEM NO. 07300 \$13.60

Imperial Convenience-Pak with Application Media

A convenient way to purchase Imperial Application Media (Item No. 07900) together with Imperial Dry Neck Lube for replenishment (Item No.07700) in one handy container.



ITEM NO. 07200 \$30.00



Imperial Dry Neck Lube

For use inside and outside the case neck to reduce drag on both the die and size button without concern of powder contamination. Packaged in 1 oz. container.

ITEM NO. 07700 \$14.00

Imperial Sizing Die Wax

“The original” - a favorite among discriminating reloaders. Packaged in 1 oz. & 2 oz. tins.

ITEM NO. 07500 (1 oz. tin) . . . \$13.00

ITEM NO. 07600 (2 oz. tin) . . . \$17.40



Imperial Application Media

The easy way to apply dry neck lube to case necks. Simply dip the cartridge case neck into the ceramic media. The media consists of high density ceramic spheres that are pre-charged with Imperial Dry Neck Lube. Can be used with all cartridge cases including 17 cal.

ITEM NO. 07900 \$17.40



Specialized Dies for Handgun Cartridges

G-Rx – Push-Thru Base Sizing Dies

The **G-Rx** push thru Base Sizing Die is designed to restore fired cases from 40 S&W autoloading pistols that exhibit a bulge near the base.

By passing the case completely through the **G-Rx** Die, the bulge is removed and the case may be returned to service.

The **G-Rx Carbide** accomplishes the same task without the need for lubrication.

Item No. 96150	G-Rx Carbide Sizing Die *.....	\$154.50
Item No. 96040	G-Rx Steel Sizing Die *	77.50
Item No. 96010	Optional Bottle Adapter	19.90
Item No. 96020	Large 32 oz. HDPE Bottle	12.60

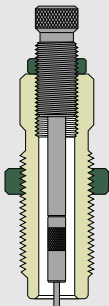
*All G-Rx dies Include Shellholder and Pushrod assembly.



Optional Bottle adapter fits std. Powder & Shot bottles with 28-410 thread.



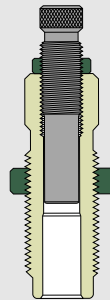
Illustration key for Handgun and Straight Wall cartridges.



(FL)

(FL) Full Length Sizing Die

The full length sizing die for handgun and straight Wall cartridges can not expand the neck for proper bullet fit in one operation. Therefore, this (FL) resizing die contains only a decapping rod assembly.



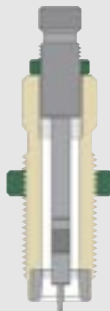
(ST)

(ST) Seating Die

The standard seating die includes a bullet guide, crimping ring as well as the standard bullet seating plug.

(NX-C) NxGEN Carbide Sizing Die

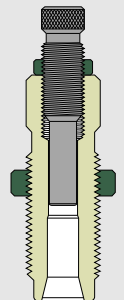
The NxGEN Carbide is the latest generation of carbide sizing dies for high quantity reloading where lubrication is not practical or desired.



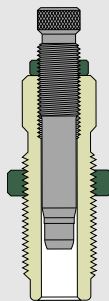
(NX-C)

(PRO-ST) Pro-Series Seating Die

The pro-series seating die is a specialized seating die with a large entry radius and standard bullet seating plug but *does not* provide any bullet crimping ability.



(PRO ST)



(EXP)

(EXP) Expander Die

The expander die contains the necessary expanding plug (expander) to create the proper press fit of the bullet.



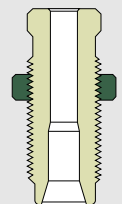
(COMP ST)

(COMP ST) Bullet Seating Die

See page 3 for complete description.

(CR) Crimping Die

This designation is for a separate die designed for bullet crimping only and may be either a Taper Crimp or Profile Crimp (see pages 4, 5 and 15).



(CR)

Competition Bullet Seating Die

for Handgun & Straight Wall Rifle Cartridges

Patented System of Bullet Alignment

This die features a very unique way to bias the bullet into alignment with the cartridge case.

The precision fitting, spring loaded seating stem is allowed to move down into the chamber of the die, aligning the bullet and cartridge case well in advance of bullet seating.

Precise alignment is then maintained as the bullet and cartridge case move upward until seating is accomplished.

This *Patented System* assures you of the best possible bullet alignment.

Micrometer Adjustment

The micrometer is calibrated in .001" increments to simplify setting and recording bullet seating depth. Switching bullets and experimentation has never been easier.

Separate Crimp

Competition shooters know that superior reloads are produced when bullet crimping is performed as a separate operation. Therefore this no compromise die has no crimping capability. A superior crimp will be accomplished by using our "Profile Crimp" or "Taper Crimp" die.

Progressive Press Compatible

The industry standard 7/8 - 14 threaded die bodies are slightly extended to allow full thread engagement of the lock ring. An oversize bellmouth chamfer with smooth radius has been added to the bottom of the die to ease case and bullet entry in progressive presses.

See chart for cartridge availability **\$170.50**

The Most Advanced Bullet Alignment Available



U.S. Patent No. 6,244,154

For jacketed bullets only – not compatible with cast bullets.

Handgun Cartridges

Cartridge	Item No.
9MM Luger	55172
38 Super Auto	55271
38 Special/357 Magnum	55282
357 SIG	55434
40 S&W/10MM Auto	55253
41 Magnum	55185
44 Special/44 Magnum	55286
45 ACP & (45 GAP)	55189
45 Colt/454 Casull	55191
460 S&W Magnum	55278
500 S&W Magnum	55291

Straight Wall Rifle Cartridges

Cartridge	Item No.
38-40 Winchester	55366
38-55 Winchester	55365
40-65 Winchester	55465
44-40 Winchester	55188
45-70 Government	55209

Micrometer Adjustable Crimping Dies

Top Adjusting for progressive presses with tight space constraints

The Micrometer Adjustable Crimping Dies are **top adjusting** to simplify making precise adjustments because any variation in case length and wall thickness both adversely affect proper adjustment.



Traditional Taper Crimp Die adjustment is both time consuming and imprecise due to the coarse 7/8 - 14 pitch die threads and the need to re-position the lock ring, this is especially important to users of progressive reloading presses with tight space constraints.

The Top Micrometer Adjustable Crimping Dies have a knurled micrometer barrel situated on the top of the die for easy access and provides approximately $\pm .100$ " of "on-the-fly" adjustment in .001" increments.

Versatility is enhanced on handgun dies by being able to reverse the internal crimping sleeve to accommodate two different cartridges having closely related body diameters. An example is the 38 Super and the 9mm family of cartridges. *Rifle cartridges are non-reversible.*

See chart for cartridge availability **\$124.50**

Cartridge	Type	Item No.
223 Remington (<i>Non-Reversible</i>)	Taper Crimp	31111
308 Winchester (<i>Non-Reversible</i>)	Taper Crimp	31155
38 Special / 357 Magnum	Profile Crimp	31282
44 Special / 44 Magnum	Profile Crimp	31286
38 Super / 9mm	Taper Crimp	31271
40 S&W / 10mm Auto	Taper Crimp	31253
45 ACP / 45 GAP	Taper Crimp	31189

NxGEN Carbide Die Sets for Handgun Cartridges

The all new Redding NxGEN Carbide Dies for handgun cartridges offer an unprecedented level of precision for your handloads. Utilizing the latest advances in materials and manufacturing technologies, NxGEN dies are able to maximize cartridge to chamber conformity. Better materials, better manufacturing and better engineering coupled with all new internal designs translates to better function, better case life and better groups.

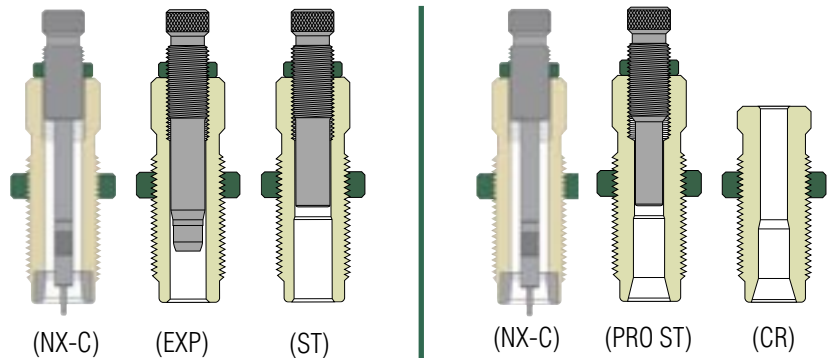
The evolution of perfection - *they're just better!*

Two types of die sets are available.

The conventional three (3) die set includes the NxGEN carbide sizing die (NX-C), the expander die (EXP) and the standard bullet seating die (ST) with built in crimp.

The Pro Series Die Set (designed for progressive machines) includes the NxGEN carbide sizing die (NX-C) but does not include an expander die (EXP) because most popular progressive machines expand the case mouth at the powder drop station. A special seating die (PRO ST) is supplied with a large entry radius but does not provide bullet crimping ability. This set is also supplied with a specialized bullet crimping die (CR). See chart below to determine Profile Crimp or Taper Crimp.

Although designed specifically for progressive reloading, Pro series die sets also work exceptionally well with single stage presses if an expander die is purchased separately. See page 16 for information about optional Premium Expanders. The best possible handloads can be attained by crimping after the bullet has been seated in place.



NxGEN Die Set \$ 178.00
9MM Luger / 500 S&W \$ 208.00

Pro Series Die Set \$200.00
9MM Luger / 500 S&W \$230.00

NxGEN Sizer Die only . . \$ 129.50 — 9MM Luger / 500 S&W \$157.50

Cartridge	NxGEN Carbide Die Set	NxGEN Carbide Sizer Die	Pro-Series Die Set	Pro-Series Seating Die	Taper Crimp Die	Profile Crimp Die	Extended Shellholder	Trim Die
32 ACP	88220	87220	89220	94220	85220	N.A.	22E	N.A.
32 Smith & Wesson Long	88158	87162	N.A.	N.A.	85158	86158	10E	83158
32 H & R Magnum	88261	87162	89261	N.A.	N.A.	86261	10E	83161
32 S & W Long/32 H & R Mag*	88162	87162	89162	94162	85162	86162	10E	N.A.
380 Auto	88170	87170	89170	94170	85170	N.A.	10E	83170
9MM Luger	88172	87172	89172	94172	85172	N.A.	13E	83172
38 Special	88183	87282	N.A.	N.A.	N.A.	N.A.	12E	83183
357 Magnum	88182	87282	N.A.	N.A.	N.A.	86182	12E	83182
38 Spec/357 Mag	88282	87282	89282	94282	85282	86282	12E	N.A.
38 Super Auto	88271	87271	89271	94271	85271	N.A.	5E	83271
40 Smith & Wesson	88272	87253	89272	94272	85272	N.A.	5E	83272
10MM Auto	88520	87253	89520	94520	85520	N.A.	5E	83520
40 S&W/10MM Auto	88253	87253	89253	94253	85253	N.A.	5E	N.A.
41 Magnum	88185	87185	89185	94185	85185	86185	21E	83185
44 Special	88187	87286	N.A.	N.A.	N.A.	N.A.	19E	83187
44 Magnum	88186	87286	N.A.	N.A.	N.A.	86186	19E	83186
44 Spec/44 Mag	88286	87286	89286	94286	85286	86286	19E	N.A.
45 GAP	88305	87189	89305	94189	85305	N.A.	1E	N.A.
45 ACP	88189	87189	89189	94189	85189	N.A.	1E	83189
45 Auto Rim	88189	87189	89190	94189	85189	86189	17E	83189
45 Colt/454 Casull	88191	87191	89191	94191	85191	86191	23E	83191
460 S&W Magnum	88278	87191	89278	94278	N.A.	86278	23E	83278
500 S&W Magnum	88291	87291	89291	94291	N.A.	86291	N.A.	N.A.

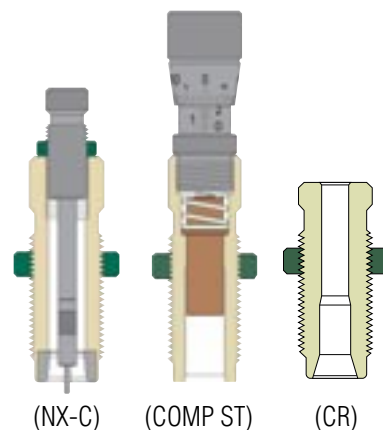
*Use for 327 Federal.

NxGEN Competition Pro Series Die Sets

With Competition Bullet Seating Die

The NxGEN Competition Pro Series (3) die set includes the NxGEN Carbide Sizing Die (NX-C), Profile Crimp Die (CR) or Taper Crimp Die if the cartridge headspace is on the case mouth, and the Competition Bullet Seating Die (COMP ST) see page 3. This die set is designed for progressive reloading machines and those seeking the best possible bullet alignment.

No Expander Die (EXP) is supplied with this set as most popular progressive machines expand the case mouth at the powder drop station.



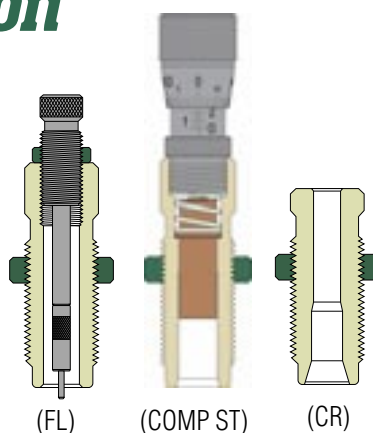
NxGEN Competition Pro Series Die Set \$313.50 9MM Luger and 500 S&W \$343.50

Cartridge	Competition Pro-Series Die Set	NxGEN Carbide Sizing Die	Competition Seating Die	Taper Crimp Die	Profile Crimp Die	Trim Die
9MM Luger	58172	87172	55172	85172	N.A.	83172
38 Special/357 Magnum	58282	87282	55282	—	86282	N.A.
38 Super Auto	58271	87271	55271	85271	N.A.	83271
40 S&W/10MM Auto	58253	87253	55253	85253	N.A.	N.A.
41 Magnum	58185	87185	55185	—	86185	83185
44 Special/44 Magnum	58286	87286	55286	—	86286	N.A.
45 GAP	58305	87189	55189	85305	N.A.	N.A.
45 ACP	58189	87189	55189	85189	N.A.	83189
45 Auto Rim	58190	87189	55189	—	86189	83189
45 Colt/454 Casull	58191	87191	55191	—	86191	83191
460 S&W Magnum	58278	87191	55278	N.A.	86278	83278
500 S&W Magnum	58291	87291	55291	N.A.	86291	N.A.

Traditional Competition Pro Series Die Sets

For Straight Wall Rifle Cartridges With Competition Bullet Seating Die

Redding developed the steel Traditional Competition Pro Series Die Sets for straight wall rifle cartridges used in many Western Action Shooting disciplines. For best results when (FL) resizing, we recommend using a high quality case lube such as Imperial Bio-Green or Imperial Sizing Die wax.



Traditional Competition Pro Series Die Sets . . . \$274.50

Cartridge	Competition Pro Series Die Set	Competition Seating Die	Sizing Die	Profile Crimp Die
38-40 Winchester	58366	55366	91366	86366
38-55 Winchester	58365	55365	91365	86365
40-65 Winchester	58465	55465	91465	86465
44-40 Winchester	58188	55188	91188	86188
45-70 Government	58209	55209	91209	86209

– Tech Talk – Frequently asked

Q: Why are carbide sizing dies not made for certain bottleneck and/or tapered cartridges?

A: While it is possible to produce carbide dies for tapered cartridges, the cost would be nearly prohibitive. Due to the tapered contact surfaces between the die and cartridge case, lubrication is still required. Thus, the advantage of carbide is lost. Any advantage in die life is negated by the increased cost.

Bushing Dies allow anyone with a standard reloading press to benefit from advanced benchrest techniques.

Type S – Bushing Style Dies

The amount of resizing provided by conventional reloading dies has always been dictated by the manufacturing tolerances (SAAMI specifications) of the brass cartridge case itself. Reloading die manufacturers have been forced to design the neck diameter of their dies small enough to accommodate the thinnest possible brass.

This may be as much as .008" - .010" smaller than the maximum cartridge dimensions typically shown in most reloading manuals.

Since the majority of cases that the reloader is likely to encounter in the field are thicker than the minimum specifications that the dies were designed for, case necks are often resized excessively.

It can be easily demonstrated that excessive resizing of the cartridge case quickly leads to stress distortion and concentricity problems.

Redding's Type S - Bushing Style Dies offer a simple solution to this age old problem.



The Type S - Bushing Style Dies, Competition Seating and Neck Sizing Dies, Body Dies and our Competition Shellholders are all products of Benchrest and 1000 yard Competition.

Type S – Neck Bushing Die

The Type S - Bushing Style Neck Sizing Die provides reloaders with a simple means to precisely control case neck size and tension.

- Uses interchangeable sizing bushings available in .001" increments.
- The adjustable decapping rod allows positioning the bushing to resize only a portion of the neck length if desired.
- Concentricity is enhanced by the ability of the resizing bushing to self-center on the case neck.
- The decapping rod is supplied with a standard size button. This is especially useful for reloaders who are using commercial brass as is.
- A decapping pin retainer is also supplied with most Type S - Bushing Dies except 17. This enables neck sizing without the use of the size button for those who sort and/or turn case necks for uniformity.

All dies are supplied without bushings. For ordering numbers see pages 8 & 9

Category I	\$115.00
Category II	138.60
Category III	173.50

Carbide size button kits are also available for all Type S Dies. See page 15 for kit numbers by caliber.

Type S – Full Bushing Die

Full length resizing while maintaining exact control of the case neck is often desirable in one operation. The new Type S - Full Length Resizing/Bushing Die accomplishes this task with the precision you would expect from Redding.

- Uses the same interchangeable bushings (.001" increments) as those used in our bushing style neck sizing dies.
- The adjustable decapping rod allows you to adjust the bushing position, sizing only part of the neck length when desired.
- Concentricity is enhanced by the ability of the bushing to self-center on the neck of the cartridge case.
- All Type S (except 17) dies are supplied with both the standard size button and a decapping pin retainer for the advantages and versatility described under our Type S - Bushing Style Neck Sizing Dies.

Note: By removing the bushing and all internal parts, the Type-S full bushing die may also be used as a body die.

All dies are supplied without bushings. For ordering numbers see pages 8 & 9

Category I	\$115.00
Category II	138.60
Category III	173.50

Note: For the ultimate shoulder bump control, use these dies with our Competition Shellholders. See page 18 for details.

Competition Bushing Style - Neck Sizing Die

Similar in design concept to our Competition Seating Die, the cartridge case is completely supported and aligned with the sizing bushing before the sizing process begins.

As the sizing process starts, the cartridge case remains supported in the tightly chambered, sliding sleeve as it moves upward while the resizing bushing self-centers on the case neck.

The decapping rod is maintained in precise alignment by using the internal parts of the die as a linear support much like that of a firing pin.

Meanwhile, the micrometer adjustment of the bushing position delivers precise control to the desired amount of neck length to be sized.

This die was designed for use by Competition Shooters who have meticulously prepared their cartridge cases and do not wish to use a sizing button, however, carbide size button kits are available separately. Refer to website.

All dies are supplied without bushings. For ordering numbers, see pages 8 & 9

- Category I \$220.50
- Category II 264.60
- Category III 331.50

Neck Sizing Bushings

Redding Neck Sizing Bushings are available in two styles. Both share the same external dimensions (1/2" O.D. x 3/8" long) and freely interchange in all Redding Bushing Style Sizing Dies.

They are available in .001" size increments throughout the range of .185" thru .368", covering all calibers from .17 to .338 and clearly marked with size I.D.

By selecting the correct bushing, you are now able to provide just the right amount of neck tension to properly hold the bullet without excessive resizing.

Item No. 73185 thru 73368 (specify size) \$30.00
Heat treated steel. The sizing diameters are hand-polished with a surface hardness of Rc 60-62 to reduce sizing effort .

Item No. 76185 thru 76368 (specify size) \$51.50
 Heat treated steel as above with the addition of a *Titanium Nitride* surface treatment to further increase the effective surface hardness and reduce sizing friction.

Item No. 76999 \$6.80
 Handy bushing storage box is available separately.

Body Dies

Redding has made Body Dies for Benchrest Shooters for years, but they were never a catalogued item.

With the introduction of the Bushing-Style Neck Sizing Dies, they are available as a companion item for most cartridges.

Body Dies are designed to full length resize the case body and bump the shoulder position for proper chambering without disturbing the case neck. They are made without internal parts and intended for use only to resize cases which have become increasingly difficult to chamber after repeated firing and neck sizing.

- Category I \$59.50
 - Category II 72.50
 - Category III 90.00
- For ordering numbers, see pages 8 & 9



The revolutionary Competition Neck Sizing Die with interchangeable bushings brings an advanced level of precision to Competition Shooters.

U.S Patent No. 5,649,465

— Tech Talk — Bushing Selection and Use

The easiest way to determine the proper diameter bushing, is to measure the neck diameter of several loaded or dummy cartridges with an accurate micrometer. Subtract .001"-.002" from the average neck diameter and this diameter bushing will generally size case necks to create the proper press fit for the bullet.

Another method is to measure the neck thickness with a ball micrometer or our Case Neck Gauge (see page 33). Double the neck wall thickness and add this number to the bullet diameter. The result is the neck diameter of a loaded cartridge, and bushing size can be determined as above.

After loading several cases, it's a good idea to test the neck's grip on the bullet. The simplest method is to push the bullet in a loaded cartridge against the edge of your reloading bench with moderate hand pressure. The bullet should not move easily in the case neck. If the bullet pushes deeper in the case, select the next smaller bushing and start again.

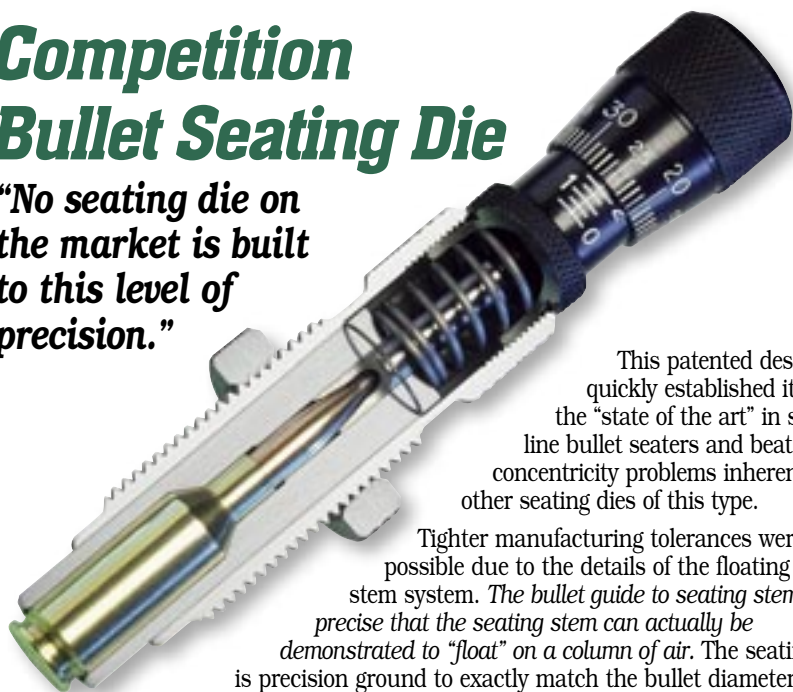
When using your bushing die, we have found that lubricating case necks and installing the bushing numbers down may improve results. Many experienced reloaders like to adjust the die to size 1/2 to 3/4 of the case neck. This has been shown to improve accuracy in most instances.

Final note: If you are not sorting case neck wall thickness for uniformity, we do not recommend the use of any bushing style die without a sizing button.

Note: For the ultimate shoulder bump control, use these dies with our Competition Shellholders. See page 18 for details.

Competition Bullet Seating Die

“No seating die on the market is built to this level of precision.”



This patented design quickly established itself as the “state of the art” in straight line bullet seaters and beat the concentricity problems inherent in all other seating dies of this type.

Tighter manufacturing tolerances were made possible due to the details of the floating seating stem system. *The bullet guide to seating stem fit is so precise that the seating stem can actually be demonstrated to “float” on a column of air.* The seating stem is precision ground to exactly match the bullet diameter.

Alignment and accuracy are enhanced by the cartridge case and bullet being completely supported and aligned in a close fitting, precision ground sleeve before the bullet seating begins.

The micrometer is calibrated in .001" increments for precise seating depth and is infinitely adjustable. The micrometer also has a feature that allows you to re-set it to your favorite seating depth.

No seating die on the market is built to this level of precision.

For ordering numbers see chart below.

Category I \$220.50

Category II 264.60

Category III 331.50

See website for Accessory VLD style bullet seating stems.

“The Redding Competition Seaters are without question the finest bullet seaters I have ever used! The quality of construction and design is a ‘steal’! I am extremely impressed.”

Fred Sinclair

Bushing Style Dies

Cartridge	Type S – Bushing Full Die	Type S – Bushing Neck Die	Type S – Bushing Neck Die Set	Type S – Match Bushing Full Die Set	Type S – Match Bushing Neck Die Set	Body Die	Competition Bushing Neck Die	Competition Seating Die	Competition Bushing Neck Die Set	Type S – “Elite” Bushing Die Set
CATEGORY I	\$115.00	\$115.00	\$219.00	\$320.00	\$375.00	\$59.50	\$220.50	\$220.50	\$474.50	\$427.00
204 Ruger	77287	71287	78287	36287	38287	75287	56287	55287	58287	60287
222 Remington	77109	71109	78109	36109	38109	75109	56109	55109	58109	60109
223 Remington	77111	71111	78111	36111	38111	75111	56111	55111	58111	60111
22 Nosler	77768	71768	78768	36768	38768	75768	56768	55768	58768	60768
22-250 Remington	77106	71106	78106	36106	38106	75106	56106	55106	58106	60106
220 Swift	77107	71107	78107	36107	38107	75107	56107	55107	58107	60107
224 VALKYRIE	77387	71387	78387	36387	38387	75387	N.A.	55387	N.A.	60387
6MM P.P.C. USA	77319	71319	78319	36319	38319	75319	56319	55319	58319	60319
6MM B.R. Rem (Norma BR)	77317	71317	78317	36317	38317	75317	56317	55317	58317	60317
243 Winchester	77114	71114	78114	36114	38114	75114	56114	55114	58114	60114
6MM Remington	77115	71115	78115	36115	38115	75115	56115	55115	58115	60115
25-06 Remington	77120	71120	78120	36120	38120	75120	56120	55120	58120	60120
260 Remington	77531	71531	78531	36531	38531	75531	56531	55531	58531	60531
6.5MM Creedmoor	77446	71446	78446	36446	38446	75446	56446	55446	58446	60446
6.5 x 55 Swedish	77132	71132	78132	36132	38132	75132	56132	55132	58132	60132
6.5MM/284 Win (Norma)	77415	71415	78415	36415	38415	75415	56415	55415	58415	60415
26 Nosler	77261	71261	78261	36261	38261	75261	56261	55261	58261	60261
270 Winchester	77135	71135	78135	36135	38135	75135	56135	55135	58135	60135
7MM-08 Remington	77139	71139	78139	36139	38139	75139	56139	55139	58139	60139
280 Ackley Improved	77428	71428	78428	36428	38428	75428	56428	55428	58428	60428
7MM Remington Mag	77136	71136	78136	36136	38136	75136	56136	55136	58136	60136
7MM Rem SA UM	77280	71280	78280	36280	38280	75280	56280	55280	58280	60280
28 Nosler	77790	71790	78790	36790	38790	75790	56790	55790	58790	60790
308 Winchester	77155	71155	78155	36155	38155	75155	56155	55155	58155	60155
30-06 Springfield	77148	71148	78148	36148	38148	75148	56148	55148	58148	60148
300 Winchester Mag	77153	71153	78153	36153	38153	75153	56153	55153	58153	60153
30 Nosler	77817	71817	78817	36817	38817	75817	56817	55817	58817	60817
300 Weatherby Mag	77252	71252	78252	36252	38252	75252	56252	55252	58252	60252
300 Rem Ultra Mag	77288	71288	78288	36288	38288	75288	56288	55288	58288	60288
300 WSM	77223	71223	78223	36223	38223	75223	56223	55223	58223	60223
CATEGORY II	\$138.60	\$138.60	\$272.50	\$384.50	\$453.60	\$72.50	\$264.60	\$264.60	\$570.00	\$512.00
17 Hornet	77279	71279	78279	36279	38279	75279	N.A.	55279	N.A.	60279
17 Remington Fireball	77204	71204	78204	36204	38204	75204	N.A.	55204	N.A.	60204
17 Remington	77217	71217	78217	36217	38217	75217	N.A.	55217	N.A.	60217
22 Hornet	77102	71102	78102	36102	38102	75102	N.A.	55102	N.A.	60102
22 Creedmoor	77302	71302	78302	36302	38302	75302	N.A.	55302	N.A.	60302
221 Remington Fireball	77101	71101	78101	36101	38101	75101	56101	55101	58101	60101
223 Remington Imp 40°	77907	71907	78907	36907	38907	75907	56907	55907	58907	60907
22 P.P.C. USA	77318	71318	78318	36318	38318	75318	56318	55318	58318	60318
22 B.R. Remington	77316	71316	78316	36316	38316	75316	56316	55316	58316	60316
22-250 Rem Imp 40°	77406	71406	78406	36406	38406	75406	56406	55406	58406	60406
* 6 x 47 Lapua	77489	71489	N.A.	36489	38489	75489	N.A.	55489	N.A.	60489
243 Win Imp 40°	77420	71420	78420	36420	38420	75420	56420	55420	58420	60420
6MM Creedmoor	77443	71443	78443	36443	38443	75443	56443	55443	58443	60443
6MM Rem Imp 40°	77421	71421	78421	36421	38421	75421	56421	55421	58421	60421
6MM/284 Winchester	77414	71414	78414	36414	38414	75414	56414	55414	58414	60414

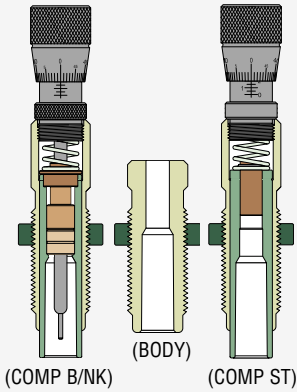
* Full Length Dies also available for 6 x 47 Lapua, Part #91489

Bushing Style Die Sets

"COMPETITION" Bushing Neck Die Set

INCLUDES –

- Competition Bushing Neck Sizing Die
- Body Die. • Competition Seating Die



TYPE S – MATCH – Bushing Full Die Set

INCLUDES –

- Type S – Bushing Full Sizing Die (B/FL)
- Competition Seating Die (COMP ST)

TYPE S – MATCH – Bushing Neck Die Set

INCLUDES –

- Type S – Bushing Neck Sizing Die (B/NK)
- Body Die (BODY)
- Competition Seating Die (COMP ST)

TYPE S – Bushing Neck Die Set

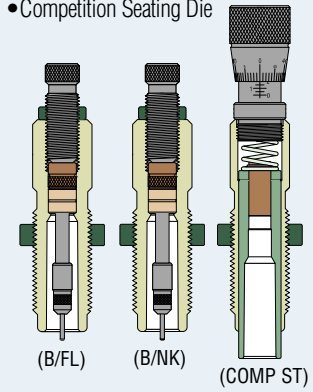
INCLUDES –

- Type S – Bushing Neck Sizing Die (B/NK)
- Body Die (BODY). • Series 92000 Seating Die (ST) page 10

TYPE S – "ELITE" Bushing Die Set

INCLUDES –

- Type S – Bushing Full Sizing Die
- Type S – Bushing Neck Sizing Die
- Competition Seating Die



Bushing Style Dies Continued

Cartridge	Type S – Bushing Full Die Set	Type S – Bushing Neck Die Set	Type S – Bushing Neck Die Set	Type S – Match Bushing Full Die Set	Type S – Match Bushing Neck Die Set	Body Die	Competition Bushing Neck Die	Competition Seating Die	Competition Bushing Neck Die Set	Type S – "Elite" Bushing Die Set
CATEGORY II-Cont'd.	\$138.60	\$138.60	\$272.50	\$384.50	\$453.60	\$72.50	\$264.60	\$264.60	\$570.00	\$512.00
6.5 GRENDDEL™	77478	71478	78478	36478	38478	75478	56478	55478	58478	60478
6.5 x 47 Lapua	77479	71479	78479	36479	38479	75479	56479	55479	58479	60479
6.5 PRC	77487	71487	78487	36487	38487	75487	N.A.	55487	N.A.	60487
6.8 Western	77309	71309	78309	36309	38309	75309	N.A.	55309	N.A.	60309
6.8MM Rem SPC	77259	71259	78259	36259	38259	75259	56259	55259	58259	60259
270 WSM	77255	71255	78255	36255	38255	75255	56255	55255	58255	60255
280 Remington	77142	71142	78142	36142	38142	75142	56142	55142	58142	60142
7MM WSM™	77265	71265	78265	36265	38265	75265	56265	55265	58265	60265
7MM STW	77544	71544	78544	36544	38544	75544	56544	55544	58544	60544
7MM Rem Ultra Mag	77923	71923	78923	36923	38923	75923	56923	55923	58923	60923
300 Blackout	N.A.	N.A.	N.A.	N.A.	N.A.	N.A.	N.A.	55327	N.A.	N.A.
300 Rem SA UM	77275	71275	78275	36275	38275	75275	56275	55275	58275	60275
300 PRC	77776	71776	78776	36776	38776	75776	N.A.	55776	N.A.	60776
338 Winchester Mag	77163	71163	78163	36163	38163	75163	56163	55163	58163	60163
338 Rem Ultra Mag	77874	71874	78874	36874	38874	75874	56874	55874	58874	60874
CATEGORY III	\$173.50	\$173.50	\$340.50	\$474.50	\$559.50	\$90.00	\$331.50	\$331.50	\$707.00	\$636.00
20 Vartarg	77636	71636	78636	36636	38636	75636	N.A.	55636	N.A.	60636
20 P.P.C.	77566	71566	78566	36566	38566	75566	N.A.	55566	N.A.	60566
20 B.R.	77666	71666	78666	36666	38666	75666	N.A.	55666	N.A.	60666
20 Tactical	77660	71660	78660	36660	38660	75660	56660	55660	58660	60660
223 WSSM	77295	71295	78295	36295	38295	75295	56295	55295	58295	60295
243 WSSM	77270	71270	78270	36270	38270	75270	56270	55270	58270	60270
6MM XC	77745	71745	78745	36745	38745	75745	N.A.	55745	N.A.	60745
6MM Dasher	77648	71648	78648	36648	38648	75648	N.A.	55648	N.A.	60648
250 Savage	77122	71122	78122	36122	38122	75122	56122	55122	58122	60122
257 Roberts	77125	71125	78125	36125	38125	75125	56125	55125	58125	60125
257 Roberts Imp 40°	77322	71322	78322	36322	38322	75322	56322	55322	58322	60322
25 WSSM	77263	71263	78263	36263	38263	75263	56263	55263	58263	60263
25-06 Rem Imp 40°	77422	71422	78422	36422	38422	75422	56422	55422	58422	60422
257 Weatherby Mag	77226	71226	78226	36226	38226	75226	56226	55226	58226	60226
6.5 GAP 4S	77845	N.A.	N.A.	36845	N.A.	75845	N.A.	55845	N.A.	N.A.
260 Remington Imp 40°	77623	71623	78623	36623	38623	75623	56623	55623	58623	60623
6.5MM/06 A-Square	77378	71378	78378	36378	38378	75378	N.A.	55378	N.A.	60378
264 Winchester Mag	77127	71127	78127	36127	38127	75127	56127	55127	58127	60127
7MM TCU	77242	71242	78242	36242	38242	75242	56242	55242	58242	60242
7MM B. R. Remington	77241	71241	78241	36241	38241	75241	56241	55241	58241	60241
7MM X 57 Mauser	77138	71138	78138	36138	38138	75138	N.A.	55138	N.A.	60138
284 Winchester	77141	71141	78141	36141	38141	75141	56141	55141	58141	60141
7 PRC	77936	71936	78936	36936	38936	75936	N.A.	55936	N.A.	60936
7MM Weatherby Mag	77237	71237	78237	N.A.	N.A.	75237	N.A.	N.A.	N.A.	N.A.
30 B.R.	77524	71524	78524	36524	38524	75524	N.A.	55524	N.A.	60524
30-30 Winchester	N.A.	71146	78146	N.A.	N.A.	75146	N.A.	N.A.	N.A.	N.A.
303 British	77154	71154	78154	N.A.	N.A.	75154	N.A.	N.A.	N.A.	N.A.
30/338 Winchester Mag	77394	71394	78394	36394	38394	75394	56394	55394	58394	60394
30-378 Weatherby Mag	77547	71547	78547	N.A.	N.A.	75547	N.A.	N.A.	N.A.	N.A.
300 Norma Mag	77928	71928	78928	36928	38928	75928	N.A.	55928	N.A.	60928
338 Lapua Mag	77594	71594	78594	36594	38594	75594	56594	55594	58594	60594

Rifle & Handgun Die Sets

The quality of your reloaded ammunition depends on the quality of the equipment you use to assemble it.

Your dies literally shape the quality and function of your reloads. Because they are so important, we give them a lot of attention.

- We use the finest alloy steels obtainable.
- All Redding dies have industry standard 7/8-14 threaded bodies.
- Our dies are carefully machined on precision lathes capable of holding the tightest tolerances in the industry.
- We guarantee our dies to produce ammunition that will properly fit any standard (SAAMI) chamber, regardless of action type.
- To maintain tolerances and guarantee that your dies will last a lifetime, they are heat treated in atmospherically controlled furnaces.
- All dies are hand polished for smooth, flawless functioning, inspected, and ultrasonically cleaned before packaging.



LARGE DIE STORAGE BOX

The die box doubles as a handy cartridge loading block and storage container. Inside is a spare decapping pin, hex wrench, and a place for your shellholder!

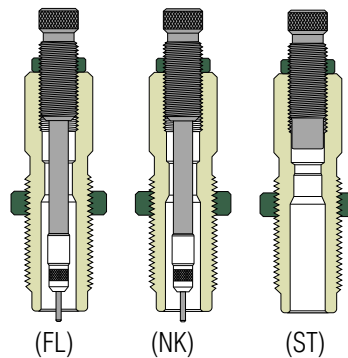
ITEM NO. 01095 \$12.50



INDIVIDUAL DIE STORAGE BOX

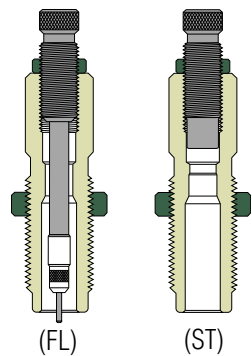
(available separately)

ITEM NO. 01103 \$6.60



Deluxe Die Sets For Bottleneck Cases

Deluxe die sets for bottleneck cases contain three dies. They are a special packaging of our full length die sets with the addition of a neck (NK) sizing die.

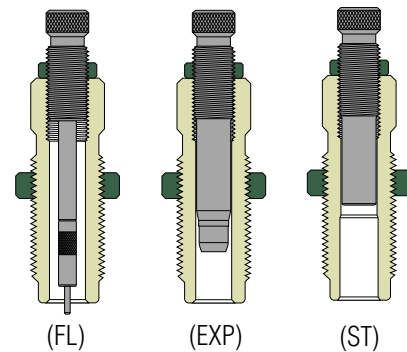


Full Length Die Sets For Bottleneck Cases

Full length die sets for bottleneck cases contain two dies. The full length (FL) resizing die contains a decapping rod assembly with a neck expander (size button). The seating die (ST) includes bullet guide, built-in crimp ring and the proper seating plug.

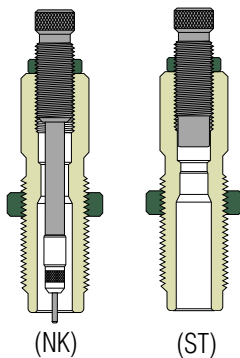
Die Sets For Straight Wall Cases

Die sets for straight wall cases contain three dies. This is necessary because it is not possible to full length resize straight wall cases and expand the neck for proper bullet fit in one operation. The full length (FL) resizing die contains a decapping rod assembly. The expander die (EXP) contains a neck expanding plug. The seating die (ST) includes bullet guide, built-in crimp ring and the proper seating plug.



Neck Die Sets For Bottleneck Cases

Neck die sets for bottleneck cases contain two dies. The neck (NK) resizing die contains a decapping rod assembly with a neck expander (size button). The seating die (ST) includes bullet guide, built in crimp ring and the proper seating plug.



Seating Dies With Taper Crimp

Reloading dies for handgun calibers that headspace on the case mouth are indicated with a ♦. The seating dies in these calibers are made with a taper crimp. All other calibers have the standard roll crimp.

SERIES A - Rifle & Handgun Dies

The Reloading die sets listed in this category represent the most popular dies that we produce. Although all Redding Dies are made to the same high quality standards, Series A is the lowest price group, due to the efficiency of higher production **\$97.80**



SERIES A - Die Sets For Bottleneck Cases

Cartridge	Full Length Die Set	Deluxe Die Set	Neck Sizing Die	Neck Die Sets	Full Length Sizing Die	Decap Rod Assembly	Decap Rod	Size Button	Seating Die	Seat Plug	Form & Trim Die
	\$97.80	\$154.50	\$66.50	\$97.80	\$66.50	\$25.50	\$16.80	\$14.70	\$59.50	\$16.80	\$59.50
204 Ruger	80287	84287	81287	82287	91287	31203	01031	37203	92287	01085	83287
221 Remington Fireball	80101	84101	81101	82101	91101	32223	01032	39223	92101	01085	83101
22 Hornet	80102	84102	81102	82102	91102	32923	01032	39223	92102	01085	83102
22 Nosler	80768	84768	81768	82768	91768	33223	01033	39223	92768	01083	N.A.
222 Remington	80109	84109	81109	82109	91109	32223	01032	39223	92109	01084	83109
22-250 Remington	80106	84106	81106	82106	91106	33223	01033	39223	92106	01083	83106
223 Remington	80111	84111	81111	82111	91111	33223	01033	39223	92111	01083	83111
224 VALKYRIE	80387	84387	81387	82387	91387	32223	01032	39223	92387	01084	N.A.
243 Winchester	80114	84114	81114	82114	91114	33242	01033	39242	92114	01067	83114
6MM Remington	80115	84115	81115	82115	91115	34242	01034	39242	92115	01066	83115
25-06 Remington	80120	84120	81120	82120	91120	34256	01034	39256	92120	01067	83120
257 Roberts	80125	84125	81125	82125	91125	34256	01034	39256	92125	01066	83125
260 Remington	80531	84531	81531	82531	91531	33263	01033	39263	92531	01067	83531
6.5 Creedmoor	80446	84446	81446	82446	91446	33263	01033	39263	92446	01067	N.A.
6.5MM/284 Win (Norma)	80415	84415	81415	82415	91415	34263	01034	39263	92415	01067	83415
6.5 x 55 Swedish	80132	84132	81132	82132	91132	34263	01034	39263	92132	01066	83132
270 Winchester	80135	84135	81135	82135	91135	25276	01025	40276	92135	01066	83135
270 WSM	80255	84255	81255	82255	91255	23276	01023	40276	92255	01067	83255
7MM-08 Remington	80139	84139	81139	82139	91139	23283	01023	40283	92139	01067	83139
7MM Remington Mag	80136	84136	81136	82136	91136	24283	01024	40283	92136	01067	83136
7MM x 57 Mauser	80138	84138	81138	82138	91138	24283	01024	40283	92138	01067	83138
280 Ackley Improved	80428	84428	81428	82428	91428	25283	01025	40283	92428	01066	83428
30-30 Winchester	80146	84146	81146	82146	91146	23307	01023	40307	92146	01080	83146
30-06 Springfield	80148	84148	81148	82148	91148	24307	01024	40307	92148	01080	83148
300 Remington Ultra Mag	80288	84288	81288	82288	91288	25307	01025	40307	92288	01080	83288
300 WSM	80223	84223	81223	82223	91223	23307	01023	40307	92223	01080	83223
300 Winchester Mag	80153	84153	81153	82153	91153	25307	01025	40307	92153	01079	83153
300 Weatherby Mag	80252	84252	81252	82252	91252	25307	01025	40307	92252	01080	83252
308 Winchester/307 Winchester	80155	84155	81155	82155	91155	23307	01023	40307	92155	01080	83155
8MM x 57 Mauser	80159	84159	81159	82159	91159	24322	01024	16322	92159	01080	83159
338 Winchester Mag	80163	84163	81163	82163	91163	24336	01024	16336	92163	01063	83163
375 H & H Magnum	80169	84169	81169	82169	91169	25373	01025	41373	92169	01081	83169

SERIES A - Die Sets For Straight Wall Cases

Cartridge	Three Die Set	Sizing Die	Decap Rod Assembly	Seating Die	Seat Plug	Expander Die	Expander	Profile Crimp	Taper Crimp	Trim Die
	\$97.80	\$53.60	\$25.50	\$49.50	\$16.80	\$37.50	\$22.50	\$52.50	\$52.50	\$59.50
30 M1 Carbine ♦	80180	91180	22097	92180 ♦	01069	93180	95307	N.A.	85180	83180
32 Smith & Wesson Long	80158	91158	22097	92158	01073	93158	93310	86158	85158	83158
32 H & R Magnum*	80161	91161	22097	92161	01069	93161	93310	86261	N.A.	83161
32 S & W Long/32 H & R Mag	80162	91162	22097	92162	01073	93162	93310	86162	85162	N.A.
9MM Luger ♦	80172	91172	22097	92172 ♦	01072	93172	91354	N.A.	85172	83172
38 Special	80183	91183	22097	92183	01071	93183	94356	N.A.	N.A.	83183
357 Magnum	80182	91182	22097	92182	01071	93182	94356	86182	N.A.	83182
38 Spec/357 Mag	80184	91184	22097	92184	01071	93184	94356	86282	85282	N.A.
40 Smith & Wesson ♦	80272	91272	22097	92272 ♦	01092	93272	92399	N.A.	85272	83272
10MM Auto ♦	80520	91520	22097	92520 ♦	01087	93520	93399	N.A.	85520	83520
40 S & W/10MM Auto ♦	80253	91253	22097	92253 ♦	01092	93253	92399	N.A.	85253	N.A.
44 Special	80187	91187	21097	92187	01074	93187	94428	N.A.	N.A.	83187
44 Magnum	80186	91186	21097	92186	01074	93186	94428	86186	N.A.	83186
44 Spec/44 Mag	80194	91194	21097	92194	01074	93194	94428	86286	85286	N.A.
44-40 Winchester	80188	91188	21097	92188	01074	93188	95426	86188	N.A.	N.A.
45 ACP/45 Auto Rim ♦	80189	91189	21097	92189 ♦	01075	93189	93450	86189+	85189	83189
45 Colt/454 Casull	80191	91191	21097	92191	01076	93191	95450	86191	85191	83191

♦ Denotes taper crimp seating die.

*Use for 327 Federal.

+Profile Crimp for 45 Auto Rim only



SERIES B - Rifle & Handgun Dies

Reloading dies in this group are slightly less popular and/or are more costly to produce than our Series A die sets **\$132.00**

SERIES B – Die Sets For Bottleneck Cases

Cartridge	Full Length Die Set \$132.00	Deluxe Die Set \$208.00	Neck Sizing Die \$88.50	Neck Die Sets \$132.00	Full Length Sizing Die \$88.50	Decap Rod Assembly \$25.50	Decap Rod \$16.80	Size Button \$14.70	Seating Die \$78.50	Seat Plug \$16.80	Form & Trim Die \$78.50
17 Hornet	80279	84279	81279	82279	91279	26171	01026	37171	92279	01085	83279
17 Remington	80217	84217	81217	82217	91217	31171	01031	37171	92217	01085	83217
218 Bee	80200	84200	81200	82200	91200	32923	01032	39223	92200	01085	83200
22 K-Hornet	80362	84362	81362	82362	91362	32923	01032	39223	92362	01085	83362
22 B.R. Remington	80316	84316	81316	82316	91316	32223	01032	39223	92316	01083	83316
22 Creedmoor	80302	84302	81302	82302	91302	33223	01033	39223	92302	01084	83302
22 P.P.C. USA	80318	84318	81318	82318	91318	32223	01032	39223	92318	01084	83318
220 Swift	80107	84107	81107	82107	91107	34223	01034	39223	92107	01083	83107
6MM B.R. Rem (Norma BR)	80317	84317	81317	82317	91317	32242	01032	39242	92317	01067	83317
6MM P.P.C. USA	80319	84319	81319	82319	91319	32842*	01032	19242*	92319	01067	83319
6MM Creedmoor	80443	84443	81443	82443	91443	33242	01033	39242	92443	01067	N.A.
250 Savage (250-3000)	80122	84122	81122	82122	91122	33256	01033	39256	92122	01067	83122
256 Winchester Mag	80233	84233	81233	82233	91233	32956	01032	39256	92233	01066	83233
257 Weatherby Mag	80226	84226	81226	82226	91226	35256	01035	39256	92226	01066	83226
264 Winchester Mag	80127	84127	81127	82127	91127	34263	01034	39263	92127	01062	83127
26 Nosler	80261	84261	81261	82261	91261	35263	01035	39263	92261	01066	83261
6.5 PRC	80487	84487	81487	82487	91487	33263	01033	39263	92487	01067	83487
270 Weatherby Mag	80234	84234	81234	82234	91234	25276	01025	40276	92234	01066	83234
6.8 Western	80309	84309	81309	82309	91309	23276	01023	40276	92309	01067	83309
7MM B.R. Remington	80241	84241	81241	82241	91241	22283	01022	40283	92241	01067	83241
7MM Rem SA UM	80280	84280	81280	82280	91280	23283	01023	40283	92280	01080	83280
7MM WSM	80265	84265	81265	82265	91265	23283	01023	40283	92265	01067	83265
7MM Remington Ultra Mag	80923	84923	81923	82923	91923	25283	01025	40283	92923	01067	83923
7MM STW (Shooting Times)	80544	84544	81544	82544	91544	25283	01025	40283	92544	01062	83544
28 Nosler	80790	84790	81790	82790	91790	25283	01025	40283	92790	01067	83790
280 Remington (7MM Exp. Rem.)	80142	84142	81142	82142	91142	25283	01025	40283	92142	01066	83142
284 Winchester	80141	84141	81141	82141	91141	24283	01024	40283	92141	01066	83141
7.62MM x 39	80129	84129	81129	82129	91129	22307	01022	40307	92129	01067	83129
7.62MM Russian (7.62MM x 54R)	80290	N.A.	N.A.	N.A.	91290	23307	01023	40307	92290	01080	N.A.
30 Nosler	80817	84817	81817	82817	91817	25307	01025	40307	92817	01080	83817
300 Blackout	80327	84327	81327	82327	91327	22307	01022	40307	92327	01079	83327
300 Savage	80151	84151	81151	82151	91151	23307	01023	40307	92151	01079	83151
300 H & H Magnum	80150	N.A.	N.A.	N.A.	91150	25307	01025	40307	92150	01080	83150
300 PRC	80776	84776	81776	82776	91776	25307	01025	40307	92776	01079	83776
303 British	80154	84154	81154	82154	91154	24310	01024	40310	92154	01079	83154
325 WSM	80202	84202	81202	82202	91202	23822	01023	16322	92202	01080	N.A.
338 Federal	80264	84264	81264	82264	91264	23837	01023	16336	92264	01080	N.A.
338 Remington Ultra Mag	80874	84874	81874	82874	91874	25336	01025	16336	92874	01063	83874
33 Nosler	80799	84799	81799	82799	91799	24336	01024	16336	92799	01063	N.A.
340 Weatherby Mag	80256	84256	81256	82256	91256	25336	01025	16336	92256	01063	N.A.
35 Remington	80165	84165	81165	82165	91165	23356	01023	41356	92165	01081	83165
35 Whelen	80215	84215	81215	82215	91215	24856*	01024	16356*	92215	01081	83215
350 Remington Mag	80266	84266	81266	82266	91266	24356	01024	41356	92266	01082	83266
358 Winchester/356 Winchester	80227	84227	81227	82227	91227	23856*	01023	16356*	92227	01081	83227
375 Ruger	80269	84269	81269	82269	91269	25373	01025	41373	92269	01082	N.A.
45-70 Govt.			81209	82209							

— SEE BELOW FOR OTHER 45-70 DIES —

SERIES B – Die Sets For Straight Wall Cases

Cartridge	Three Die Set \$132.00	Sizing Die \$71.00	Decap Rod Assembly \$25.50	Seating Die \$69.50	Seat Plug \$16.80	Expander Die \$49.50	Expander \$22.50	Profile Crimp \$63.00	Taper Crimp \$63.00	Trim Die \$78.50
32 ACP	80220	91220	22097	92220	01070	93220	90310	N.A.	85220	N.A.
32-20 Winchester	80281	91281	22097	92281	01069	93281	95311	86281	N.A.	83281
380 Auto ♦	80170	91170	22097	92170 ♦	01078	93170	91354	N.A.	85170	83170
38 Super Auto ♦	80271	91271	22097	92271 ♦	01072	93271	93354	N.A.	85271	83271
41 Magnum	80185	91185	22097	92185	01077	93185	95409	86185	85185	83185
45-70 U.S. Govt.	80209	91209	27097	92209	01065	93209	99457	86209	N.A.	83209
458 Winchester Mag	80208	91208	28097	92208	01065	93208	99457	86208	N.A.	83208
460 S&W Magnum	80278	91278	27097	92278	01096	93278	95450	86278	N.A.	83278
500 S&W Magnum	80291	91291	21097	92291	01094	93291	96498	86291	N.A.	N.A.

*Denotes tapered size button. ♦ Denotes taper crimp seating die.

SERIES C - Rifle & Handgun Dies

Series C dies are less popular than the die sets listed in Series A & B.

This listing also contains many popular wildcats \$173.00



SERIES C - Die Sets For Bottleneck Cases

Cartridge	Full Length Die Set \$173.00	Deluxe Die Set \$271.00	Neck Sizing Die \$112.50	Neck Die Sets \$173.00	Full Length Sizing Die \$112.50	Decap Rod Assembly \$25.50	Decap Rod \$16.80	Size Button \$14.70	Seating Die \$99.00	Seat Plug \$16.80	Form & Trim Die \$99.00
17 Remington Fireball	80204	84204	81204	82204	91204	26171	01026	37171	92204	01085	N.A.
20 Tactical	80660	84660	81660	82660	91660	31203	01031	37203	92660	01085	83660
219 Zipper	80360	N.A.	N.A.	N.A.	91360	33223	01033	39223	92360	01083	83360
222 Remington Mag	80203	84203	81203	82203	91203	33223	01033	39223	92203	01083	83203
223 WSSM	80295	84295	81295	82295	91295	32223	01032	39223	92295	01084	83295
225 Winchester	80239	84239	81239	82239	91239	33223	01033	39223	92239	01083	83239
22-250 Improved 40°	80406	84406	81406	82406	91406	33223	01033	39223	92406	01083	83406
6MM/223 Rem (6MM x 45)	80312	84312	81312	82312	91312	33842*	01033	19242*	92312	01066	83312
6MM/284 Winchester	80414	84414	81414	82414	91414	34242	01034	39242	92414	01066	83414
24 Nosler	80320	84320	81320	82320	91320	33242	01033	39242	92320	01067	N.A.
240 Weatherby Mag	80232	84232	81232	82232	91232	34242	01034	39242	92232	01067	83232
243 Winchester Improved 40°	80420	84420	81420	82420	91420	33242	01033	39242	92420	01067	83420
243 WSSM	80270	84270	81270	82270	91270	32242	01032	39242	92270	01067	83270
25-20 Winchester	80218	84218	81218	82218	91218	32956	01032	39256	92218	01066	83218
25 WSSM	80263	84263	81263	82263	91263	32256	01032	39256	92263	01067	83263
257 Roberts Improved 40°	80322	84322	81322	82322	91322	34256	01034	39256	92322	01066	83322
6.5 GRENDDEL™	80478	84478	81478	82478	91478	32263	01032	39263	92478	01067	N.A.
6.5 X 47 Lapua	80479	84479	81479	82479	91479	33263	01033	39263	92479	01067	N.A.
6.5-06 (A-SQUARE)	80378	84378	81378	82378	91378	34263	01034	39263	92378	01067	83378
6.5 WBY RPM	80794	84794	81794	82794	91794	35263	01035	39263	92794	01066	83794
6.8MM Remington SPC	80259	84259	81259	82259	91259	22276	01022	40276	92259	01067	83259
7MM PRC	80936	84936	81936	82936	91936	24283	01024	40283	92936	01067	N.A.
7-30 Waters	80230	84230	81230	82230	91230	32283	01023	40283	92230	01067	83230
7MM x 64 Brenneke	80340	84340	81340	82340	91340	24283	01024	40283	92340	01062	83340
7MM Weatherby Mag	80237	84237	81237	82237	91237	25283	01025	40283	92237	01067	83237
7.5 x 55 Swiss (K-31)	80235	84235	81235	82235	91235	24307	01024	40307	92235	01079	83235
30-06 Improved 40°	80324	84324	81324	82324	91324	24307	01024	40307	92324	01080	83324
30-40 Krag	80147	84147	81147	82147	91147	24307	01024	40307	92147	01080	83147
30-378 Weatherby Mag	80547	84547	81547	82547	91547	25307	01025	40307	92547	01080	83547
308 Norma Mag	80258	84258	81258	82258	91258	25307	01025	40307	92258	01079	83258
303 Savage	80296	N.A.	N.A.	N.A.	91296	23307	01023	40307	92296	01080	N.A.
32-40 Winchester	80225	N.A.	N.A.	N.A.	91225	23320	01023	41320	92225	01080	N.A.
32 Remington	80332	N.A.	N.A.	N.A.	91332	23820*	01023	16320*	92332	01080	N.A.
32 Winchester Spec.	80157	84157	81157	82157	91157	23320	01023	41320	92157	01080	83157
338-06 (A-SQUARE)	80328	84328	81328	82328	91328	24837	01024	16336	92328	01063	83328
338 Lapua Mag	80594	84594	81594	82594	91594	25336	01025	16336	92594	01063	83594
348 Winchester	80336	N.A.	N.A.	N.A.	91336	24347	01024	41347	92336	01081	83336
35 Winchester	80335	N.A.	N.A.	N.A.	91335	24356	01024	41356	92335	01081	N.A.
358 Norma Mag	80210	N.A.	N.A.	N.A.	91210	24356	01024	41356	92210	01081	83210
9MM x 57 Mauser	80357	N.A.	N.A.	N.A.	91357	24356	01024	41356	92357	01081	83357
9.3MM x 62 Mauser	80345	84345	81345	82345	91345	24364	01024	16364	92345	01064	83345
416 Ruger	80347	84347	81347	82347	91347	25414	01025	16414	92347	01081	N.A.
416 Remington Magnum	80442	84442	81442	82442	91442	25414	01025	16414	92442	01064	83442
458 SOCOM	80444	N.A.	N.A.	N.A.	91444	21456	01021	16456	92444	01096	N.A.

SERIES C - Die Sets For Straight Wall Cases

Cartridge	Three Die Set \$173.00	Sizing Die \$86.50	Decap Rod Assembly \$25.50	Seating Die \$83.50	Seat Plug \$16.80	Expander Die \$59.50	Expander \$22.50	Profile Crimp \$78.50	Taper Crimp \$78.50	Trim Die \$99.00
30 Mauser (7.62 x 25 Tokarev)	80251	91251	22097	92251	01069	93251	93307	N.A.	N.A.	83251
357 SIG ♦	80434	91434	22097	92434 ♦	01072	93434	91354	N.A.	85434	83434
38-55 Winchester & Ballard	80365	91365	23097	92365	01081	93365	99374	86365	N.A.	83365
38-40 Winchester	80366	91366	22097	92366	01071	93366	95399	86366	N.A.	83366
375 Winchester	80206	91206	23097	92206	01081	93206	99374	N.A.	N.A.	N.A.
40-65 Winchester	80465	91465	23097	92465	01081	93465	94407	86465	N.A.	83465
41 Long Colt	80370	91370	22097	92370	01077	93370	94385	N.A.	N.A.	N.A.
444 Marlin	80207	91207	28097	92207	01068	93207	97428	N.A.	N.A.	83207
450 Marlin	80350	91350	27097	92350	01065	93350	99457	N.A.	N.A.	N.A.

* Denotes tapered size button. ♦ Denotes taper crimp seating die.



SERIES D - Rifle & Handgun Dies

Series D die sets represent obsolete cartridges, wildcats, etc., essentially custom stock. We attempt to maintain inventory in limited quantities. Consult us for your specific needs . . . \$194.00

SERIES D - Die Sets For Bottleneck Cases

Cartridge	Full Length Die Set \$194.00	Deluxe Die Set \$304.00	Neck Sizing Die \$127.50	Neck Die Sets \$194.00	Full Length Sizing Die \$127.50	Decap Rod Assembly \$25.50	Decap Rod \$16.80	Size Button \$14.70	Seating Die \$109.00	Seat Plug \$16.80	Form & Trim Die \$110.00
17 MACH IV	80504	84504	81504	82504	91504	26171	01026	37171	92504	01085	83504
219 Donaldson Wasp	80403	84403	81403	82403	91403	33223	01033	39223	92403	01083	83403
219 Don. Wasp Short (original)	80402	84402	81402	82402	91402	33223	01033	39223	92402	01083	83402
22 Savage H.P. (5.6MM x 52R)	80338	N.A.	N.A.	N.A.	91338	33227	01033	42227	92338	01084	83338
223 Remington Improved 40°	80907	84907	81907	82907	91907	33223	01033	39223	92907	01083	N.A.
224 Weatherby Mag	80212	84212	81212	82212	91212	33223	01033	39223	92212	01084	83212
5.7 x 28	80477	84477	81477	82477	91477	37923	01037	39223	92477	01085	N.A.
6MM Remington Improved 40°	80421	84421	81421	82421	91421	34242	01034	39242	92421	01066	83421
6MM XC	80745	84745	81745	82745	91745	33842*	01033	19242*	92745	01067	N.A.
6MM Dasher	80648	84648	81648	82648	91648	32242	01032	39242	92648	01067	N.A.
25-35 Winchester	80221	84221	81221	82221	91221	33256	01033	39256	92221	01067	83221
25 Remington	80325	N.A.	N.A.	N.A.	91325	33256	01033	39256	92325	01067	83325
250 Savage Improved 40°	80416	84416	81416	82416	91416	33256	01033	39256	92416	01067	83416
25/284 Winchester	80417	84417	81417	82417	91417	34256	01034	39256	92417	01067	83417
25-06 Remington Improved 40°	80422	84422	81422	82422	91422	34256	01034	39256	92422	01067	N.A.
260 Remington Improved 40°	80623	84623	81623	82623	91623	33263	01033	39263	92623	01067	N.A.
6.5 GAP 4S	80845	84845	81845	82845	91845	33263	01033	39263	92845	01067	N.A.
6.5MM x 50 Japanese	80224	84224	81224	82224	91224	33263	01033	39263	92224	01067	83224
6.5MM x 54 Mannlicher	80277	84277	81277	82277	91277	33263	01033	39263	92277	01062	83277
6.5MM x 57 Mauser	80228	84228	81228	82228	91228	34263	01034	39263	92228	01067	83228
6.5MM Remington Mag	80231	84231	81231	82231	91231	34263	01034	39263	92231	01067	83231
6.5 - 300 Weatherby Mag	80379	84379	81379	82379	91379	35263	01035	39263	92379	01067	83379
7MM TCU	80242	84242	81242	82242	91242	23883*	01023	16283*	92242	01067	83242
7MM-08 Rem. Improved 40°	80430	84430	81430	82430	91430	23283	01023	40283	92430	01067	83430
7MM x 57 Improved 40°	80427	84427	81427	82427	91427	24283	01024	40283	92427	01067	83427
7MM/300 Weatherby Mag	80384	84384	81384	82384	91384	25283	01025	40283	92384	01067	83384
300/221 Remington	80432	84432	81432	82432	91432	22807*	01022	16307*	92432	01079	83432
30 Remington	80392	N.A.	N.A.	N.A.	91392	23307	01023	40307	92392	01080	N.A.
300 Rem SA UM	80275	84275	81275	82275	91275	23307	01023	40307	92275	01080	83275
300 Norma Mag	80928	84928	81928	82928	91928	24307	01024	40307	92928	01063	N.A.
7.65MM x 53 Mauser (Belgian)	80243	84243	81243	82243	91243	23310	01023	40310	92243	01063	83243
7.7MM x 58 Japanese	80244	84244	81244	82244	91244	24310	01024	40310	92244	01080	83244
8.6 BLK **	80929	N.A.	N.A.	N.A.	91929	22336	01022	16336	92929	01080	N.A.
33 Winchester	80205	N.A.	N.A.	N.A.	91205	23336	01023	16336	92205	01080	83205
338-06 Improved 40°	80437	84437	81437	82437	91437	24837*	01024	16336*	92437	01063	83437
338-378 Wby Mag	80527	84527	81527	82527	91527	25336	01025	16336	92527	01063	83527
35 Whelen Improved 40°	80438	84438	81438	82438	91438	24856*	01024	16356*	92438	01081	83438
9.3MM x 74R	80346	N.A.	N.A.	N.A.	91346	25364	01025	16364	92346	01064	N.A.
375/444 Marlin	80475	84475	81475	82475	91475	24373	01024	41373	92475	01081	N.A.
375 Weatherby Mag	80468	N.A.	N.A.	N.A.	91468	25373	01025	41373	92468	01081	N.A.
375 Remington Ultra Mag	80925	84925	81925	82925	91925	25373	01025	41373	92925	01081	83925
378 Weatherby Mag	80469	84469	81469	82469	91469	25373	01025	41373	92469	01081	N.A.
416 Weatherby Mag	80492	N.A.	N.A.	N.A.	91492	25414	01025	16414	92492	01064	N.A.
460 Weatherby Mag	80480	84480	81480	82480	91480	30456	01030	16456	92480	01065	N.A.
470 Nitro Express	80481	N.A.	N.A.	N.A.	91481	29472	01029	41472	92481	01100	N.A.

SERIES D - Die Sets For Straight Wall Cases

Cartridge	Three Die Set \$194.00	Sizing Die \$96.00	Decap Rod Assembly \$25.50	Seating Die \$94.00	Seat Plug \$16.80	Expander Die \$68.00	Expander \$22.50	Profile Crimp \$88.00	Taper Crimp \$88.00	Trim Die \$110.00
30 Luger	80250	91250	22097	92250	01073	93250	92307	N.A.	N.A.	83250
350 LEGEND ♦	80791	91791	23097	92791 ♦	01081	93791	93354	N.A.	N.A.	N.A.
351 Winchester S.L.	80462	91462	22097	92462	01079	93462	96350	N.A.	N.A.	N.A.
38-56 Winchester	80463	91463	23373	92463	01081	93463	99374	N.A.	N.A.	83463
40 SUPER ♦	80677	91677	22097	92677 ♦	01092	93677	93399	N.A.	85677	N.A.
40-82 Winchester	80482	91482	24404	92482	01081	93482	96405	N.A.	N.A.	83482
401 Winchester S.L.	80471	91471	22097	92471	01081	93471	96405	N.A.	N.A.	83471
405 Winchester	80473	91473	25097	92473	01081	93473	97409	N.A.	N.A.	N.A.
450 Bushmaster	80781	91781	27097	92781 ♦	01096	93781	95450	N.A.	N.A.	N.A.
45-60 Winchester	80570	91570	27097	92570	01091	93570	99457	86570	N.A.	83570
45-90 Winchester	80476	91476	28097	92476	01065	93476	99457	N.A.	N.A.	83476
458 Lott	80460	91460	30097	92460	01065	93460	99457	N.A.	N.A.	83460

*Denotes tapered size button. **Taper Crimp available #85929. ♦ Denotes taper crimp seating die.

"E-Z Feed" Shellholders



New tapered design allows easy case entry. Machined to very close tolerances to fit your cases perfectly and eliminate potential problems. The universal design fits all popular presses. Only Redding shellholders are heat treated and have outside knurling to make them easy to handle and change. See Reference Charts on pages 24, 25 & 26 for proper size.
ITEM NO. 110XX (specify shellholder #) **\$18.30**



"E-Z Feed" Shellholder Sets

This set consists of six of the most popular shellholders in a handy storage box. Contains Shellholders #1, #6, #10, #12, #18 & #19.
 See Reference Charts on pages 24, 25 & 26 for shellholder usage.

ITEM NO. 11900 **\$99.00**

Shellholder storage box also available separately
ITEM NO. 11699 **6.80**

Carbide Size Button Kits



Make inside neck sizing smoother and easier without lubrication. Now you can upgrade your die sets with a carbide size button kit.

Available for bottleneck cartridges 20 thru 338 cal. The carbide size button is free floating on the decap rod allowing it to self-center in the case neck. **Kits contain: carbide size button, retainer and spare decapping pin.**

These kits also fit all Type-S dies \$59.50
 Kit No. 4720320 cal.
 Kit No. 4822322 cal.
 Kit No. 482426MM
 Kit No. 4825625 cal.
 Kit No. 482636.5MM
 Kit No. 49276270 cal.
 Kit No. 492837MM
 Kit No. 4930730 cal.
 Kit No. 49337338 cal.

See website for Competition Neck Sizing Die Carbide Kit item numbers.

Taper Crimp Dies

Designed for handgun cartridges which headspace on the case mouth where conventional roll crimping is undesirable. Also available for some revolver cartridges for those who prefer the uniformity of a taper crimp.



See pages 11 thru 14 & 17 for availability.

Series A **\$52.50** Series B **\$63.00**
 Series C **78.50** Series D **88.00**

Profile Crimp Dies

These handgun cartridge crimp dies were designed for those who want the best possible crimp. Profile crimp dies provide a tighter, more uniform roll type crimp, and requires the bullet to be seated to the correct depth in a previous operation. These dies are not for cartridges that headspace on the case mouth.



See pages 11 thru 14 for availability.

Series A **\$52.50** Series B **\$63.00**
 Series C **78.50** Series D **88.00**

Extended Shellholders

Extended shellholders are required when trimming short cases under 1.50" O.A.L. They are machined to the same tolerances as our standard shellholders except they're longer.
 See Reference Charts on pages 26 & 27.
NO. 115XX (specify shellholder #) . . . **\$29.00**



Special Purpose Profile Crimp Dies

These Special Dies are designed for the 45-70 FTX and 41 Special due to their shorter case length.



ITEM NO. 86776 (41 Spl) **\$88.00**
ITEM NO. 86262 (45-70 FTX) . . **\$63.00**

Tapered Size Buttons



These long tapered expanders (size buttons) are made for expanding the necks of bottleneck cartridges up to the desired size.

Tapered size button only **\$ 25.50**

Decapping rod assembly with tapered size button, **specify cartridge \$ 36.50**

22 cal...(.17 to 22 cal.) NO. 19223
 6mm...(.17 to 6 mm) NO. 19242
 25 cal...(.22 to 25 cal.) NO. 19256
 6.5mm...(.22 to 6.5mm) NO. 19263
 270 cal...(.22 to .270) NO. 16276
 7mm...(.22 to 7mm) NO. 16283
 30 cal...(.6mm to 30 cal.) NO. 16307
 35 cal...(.7mm to 35 cal.) NO. 16356
 375 cal...(.30 cal. to .375 cal.) . . . NO. 16373



Trim Dies

Redding trim dies allow you to file trim your cases without unnecessary resizing. Other manufacturers use sizing die dimensions, forcing you to full length resize when trimming. For case forming, trim dies can be the perfect intermediate step before full length resizing. Pistol trim dies require extended shellholders. See die charts for availability. Also see our case forming section on page 27.

Series A **\$ 59.50** Series B **\$ 78.50**
 Series C **99.00** Series D **110.00**

Decapping Dies

Decapping dies allow you to deprime and clean your cases prior to sizing.

The small decapping die will handle case lengths up to 2.625". An optional decapping rod for this die is designed to work with 17 caliber cases and will accommodate small flash holes. For longer case lengths up to 3.0" use the large decapping die.

Note: the large die will not accommodate a neck diameter of less than 25 caliber.

ITEM 69100 Small decapping die . . . **\$36.00**
ITEM 69200 Large decapping die . . . **36.00**
ITEM 69250 Optional 17 caliber rod . . **18.00**
 Complete kit containing all of the above items
ITEM 69500 **\$85.00**

REPLACEMENT DECAPPING RODS

ITEM 69275 for Small decapping die . **\$16.50**
ITEM 69300 for Large decapping die . **16.50**

Premium Die Sets

For Rifle Cartridges

Featuring a Carbide Size Button in the full sizing die and Bullet Seating Micrometer on the seating die.

Following the introduction of Bullet Seating Micrometers for our standard dies, we created the "Premium Die Set" featuring a **Carbide Size Button** in the full length sizing die and **Bullet Seating Micrometer** on the seating die.

Two types of "Premium" Die Sets are available.

"Premium" Full Length is a two (2) die set; contains a carbide Size Button in the full length sizing die and Bullet Seating Micrometer on the seating die.

See Chart for availability \$187.50

"Premium" Deluxe is a three (3) die set; contains the "Premium" two (2) die set (described above) with the addition of a standard neck sizing die.

See Chart for availability \$241.00



Cartridge	Premium Full Length Die Set	Premium Deluxe Die Set	Cartridge	Premium Full Length Die Set	Premium Deluxe Die Set	Cartridge	Premium Full Length Die Set	Premium Deluxe Die Set
204 Ruger	66287	68287	26 Nosler	66261	68261	7MM-08 Remington	66139	68139
22 Nosler	66768	68768	260 Remington	66531	68531	7MM Remington Mag . . .	66136	68136
222 Remington	66109	68109	6.5 Creedmoor	66446	68446	30-06 Springfield	66148	68148
22-250 Rem	66106	68106	6.5MM x 55 Swedish . . .	66132	68132	300 WSM	66223	68223
223 Remington	66111	68111	6.5MM/284 Win (Norma) .	66415	68415	300 Winchester Mag . . .	66153	68153
224 VALKYRIE	66387	68387	6.5 PRC	66487	68487	300 Rem Ultra Mag	66288	68288
6MM Creedmoor	66443	68443	270 WSM	66255	68255	308 Winchester	66155	68155
243 Winchester	66114	68114	270 Winchester	66135	68135	338 Winchester Mag . . .	66163	68163
25-06 Remington	66120	68120	280 Ackley Improved	66428	68428			

Premium Die Sets For Handgun Cartridges

Designed for Utility, Precision, and High Production

The Premium Die Set for Handgun Cartridges consists of a three (3) die set which contains the following: our **NxGEN Carbide Sizing Die**, a unique **Special Expander Die** and a **Premium Seating Die** with our (Std) **Bullet Seating Micrometer**.

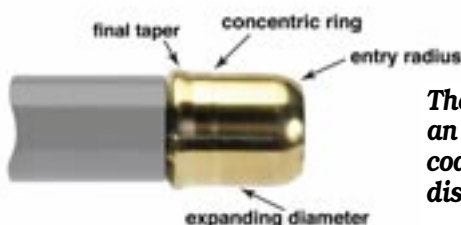
All dies have a large entry taper/radius for easy case entry and high production. The unique design of the special expander performs four distinct functions. The smooth **entry radius** is followed by the correct **expanding diameter** for proper press fit of the bullets. The upper section of the expanding diameter has a **concentric ring** which opens the case mouth slightly larger than bullet diameter to enhance bullet alignment. The **final taper** can provide a "bellmouth" on the case mouth when desired, usually when using lead bullets.

NxGEN Carbide Sizing Dies are shown and described on page 4.

Bullet Seating Micrometers are listed on page 19.

See chart for availability \$255.50 - 9MM Luger \$283.50

Special Expander Die (see chart for part numbers) \$69.50



The unique Expander has an industrial hard surface coating and performs four distinct functions.

Cartridge	Premium Die Set	NxGEN Sizer Die	Special Expander Die
32 S&W Long/32 H&R Mag	66162	87162	96162
380 Auto	66170	87170	96170
9MM Luger	66172	87172	96172
38 Spec/357 Mag	66184	87282	96184
40 S & W/10MM Auto	66253	87253	96253
44 Spec/44 Mag	66194	87286	96194
45 ACP	66189	87189	96189
45 Colt	66191	87191	96191

Master Hunter (MH-C) Die Sets

Supplied with a carbide size button and available as "Deluxe" sets with neck sizing die !

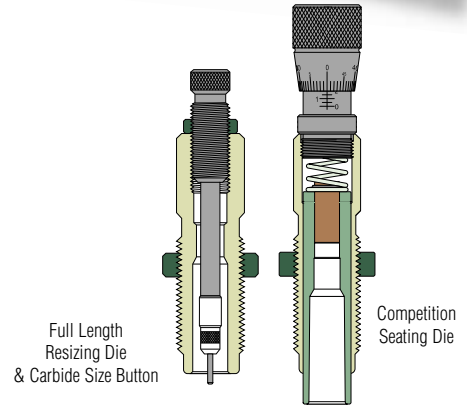
Experienced hunters know that full length resizing is important when a high stress follow-up shot is needed in the "real world" of hunting. Master Hunter "Deluxe" Die Sets add the option of neck sizing for optimal on-the-range load development.

Master Hunter (MH-C) two (2) Die Set – combines a Full Length Sizing Die with a Carbide Size Button and the extraordinary Redding Competition Seating Die.

Category I . . . \$312.00 Category II . . . \$378.00

"Deluxe" three (3) Die Set – Master Hunter – combines the two Die Set described above with the addition of a Standard Neck Sizing Die.

Category I . . . \$362.50 Category II . . . \$438.00



Master Hunter Die Sets

Cartridge	FL Die Set Item No.	Deluxe Die Set	Cartridge	FL Die Set Item No.	Deluxe Die Set
Category I			Category I (continued)		
22 Nosler	28768	29768	308 Winchester	28155	29155
223 Remington	28111	29111	30-06 Springfield	28148	29148
224 VALKYRIE	28387	29387	300 Winchester Mag	28153	29153
22-250 Remington	28106	29106	300 Weatherby Mag	28252	29252
243 Winchester	28114	29114	300 Rem Ultra Mag	28288	29288
25-06 Remington	28120	29120	300 WSM	28223	29223
260 Remington	28531	29531	338 Winchester Mag	28163	29163
26 Nosler	28261	29261	Category II		
6.5 Creedmoor	28446	29446	22 Creedmoor	28302	29302
6.5 x 55 Swedish	28132	29132	6MM Creedmoor	28443	29443
6.5MM / 284 Win (Norma)	28415	29415	6.5 PRC	28487	29487
270 Winchester	28135	29135	6.8 Western	28309	29309
7MM-08 Remington	28139	29139	280 Remington	28142	29142
280 Ackley Improved	28428	29428	7MM PRC	28936	29936
7MM Remington Mag	28136	29136	300 PRC	28776	29776
28 Nosler	28790	29790	33 Nosler	28799	29799
30 Nosler	28817	29817			



I never cease to be impressed by the quality, precision and appearance of Redding dies and their other products. Layne Simpson

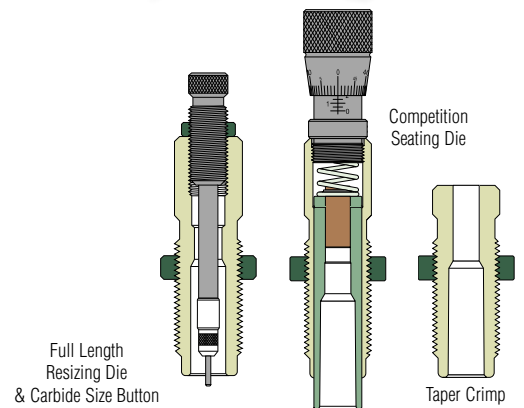
National Match (NM-C) Die Sets

Supplied with a carbide size button !

The National Match die set is a staple of the precision oriented AR platform shooter. Featuring a Carbide Size Button in the Full Length Sizing Die, the highly respected Competition Bullet Seating Die and a Taper Crimp Die.

Category I \$351.00 Category II \$419.00

Cartridge	Die Set Item No.	Taper Crimp Die	Cartridge	Die Set Item No.	Taper Crimp Die
Category I			Category I (continued)		
204 Ruger	39287	85287	308 Winchester	39155	85155
22 Nosler	39768	85768	30-06 Springfield	39148	85148
223 Remington	39111	85111	Category II		
224 VALKYRIE	39387	85387	6.5 GRENDEL™	39478	85478
243 Winchester	39114	85114	6.8MM Remington SPC	39259	85259
260 Remington	39531	85531	300 Blackout	39327	85327
6.5 Creedmoor	39446	85446			
7MM-08 Remington	39139	85139			



National Match Die Sets

Note: For the ultimate shoulder bump control, use these dies with our Competition Shellholders. See page 18 for details.



— Tech Talk —

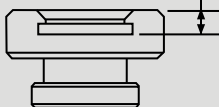
Create The Perfect Shoulder Bump With A Simple Shellholder Change!

To maximize case life and the accuracy potential of your reloads, it is desirable to size fired cases the minimum amount that allows loaded cartridges to chamber freely.

Most hunters and many other shooters seeking smooth chambering reloads, full length size their cases each time. Since the interior dimensions of sizing dies are determined by the manufacturer, adjusting the *shoulder setback* is the only control a reloader has over how much a fired case is sized.

In the past, sizing die adjustment was made through the trial and error method of adjusting the die body in the reloading press. While acceptable results can be obtained using this method, precise adjustments were difficult at best. Using this method, firm contact with the shellholder (squaring the die) was not always possible. As a result, irregularities in brass hardness and thickness, as well as the uniformity of case lube affected shoulder setback. The resulting headspace variations created can adversely affect accuracy.

To provide desirable shellholder-to-die contact during sizing, without excessively setting the case shoulder back, Redding now produces shellholders that are made in increments of .002" deeper than the industry standard. The nominal industry standard depth (dimension X) for shellholders is .125". The new Competition Shellholder Set includes five shellholders that are deeper than this in increments of .002". Therefore, the set includes shellholders that are marked +.002, +.004, +.006, +.008 and +.010, which is the amount the shellholder will increase base to shoulder case length and thus decrease shoulder set back and case to chamber headspace.



To select the proper shellholder for your particular firearm's chamber, simply start with the shellholder marked +.010. The shellholder should be adjusted to make firm contact with the bottom of the sizing die during the case sizing operation. Resize a case and try it (unprimed and empty) in the chamber of your firearm. If the empty case does not chamber or chambers with difficulty, switch to the shellholder marked +.008 and repeat the process. Stop at the shellholder that allows the firearm's action to close freely. Your cases are now being sized properly to fit your chamber with a minimum amount of headspace.

Establish the perfect shoulder bump with no die adjustment!
Competition Shellholder Sets

You control the headspace. The easy to use Redding Competition Shellholders enable you to perfectly match the headspace of your reloaded ammo to any firearm. Once the proper shellholder is determined your results are repeatable and no die adjustment is necessary. Each shellholder has a distinct black oxide finish and is clearly marked to indicate the amount it will change case-to-chamber headspace – *no special tools or gages are needed.*

Packaged in five piece sets in .002" increments.

ITEM NO. 116XX (5 pc. set includes storage box) . . . **\$104.00**

Shellholder storage box also available separately.

ITEM NO. 11699 **\$6.80**

Competition Shellholder Sets now available in the following sizes:

#1, 2, 4, 5, 6, 7, 10, 12, 18 & 35

For order No., replace XX with shellholder number from charts on pages 24, 25 & 26.

Special Small Base Body, Full Length & Type S – Full Length Dies

Available in the following calibers for firearms with custom chamberings that are tighter than SAAMI specifications.

Note: For the ultimate shoulder bump control, use these dies with our new Competition Shellholders. See above for details.



Small Base Body & Full Length Dies

Cartridge Group 1	Small Base Body Die \$73.50	Small Base Full Length \$90.00
223 Remington	74111	91323
260 Remington	74531	N.A.
308 Winchester	74155	91355
30-06 Springfield	74148	N.A.
Group 2	\$90.00	\$113.50
22 P.P.C.	N.A.	91301
6MM P.P.C.	74319	91211
6MM B.R. Remington	74317	91201
6MM/284 Winchester	74414	N.A.
6.5MM/284 Winchester (Norma)	74415	N.A.
284 Winchester	74141	N.A.
Small Base Type S - Full Length Dies		
223 Remington	77323	\$138.60
308 Winchester	77355	\$138.60
6MM B.R. Remington	77201	\$138.60
6MM P.P.C.	77211	\$138.60

Bullet Seating Micrometers



Now available for handgun and straight wall cartridges.

Redding **Bullet Seating Micrometers** are for use with most standard Redding Seating Dies and provide a direct replacement for the original seat plug.

Redding **Bullet Seating Micrometers** for bottleneck cartridges are available for traditional bullet shapes (STD) and for VLD bullet shapes (VLD). They are also available for handgun and straight wall cartridges with traditional bullet shapes (STD) and flat nose bullet designs (FLAT).

Not for use with our Competition Seating Dies.

See chart for ordering numbers \$71.00

*Note: Your original (Plug No.) is marked on top.

Original Seat Plug Item No. – (Plug No.)

01063 – (#3)*
01065 – (#5)*
01066 – (#6)*
01067 – (#7)*
01069 – (#9)*
01071 – (#11)*
01072 – (#12)*
01073 – (#13)*
01074 – (#14)*
01075 – (#15)*
01076 – (#16)*
01077 – (#17)*
01078 – (#18)*
01079 – (#19)*
01080 – (#20)*
01081 – (#21)*
01083 – (#23)*
01084 – (#24)*
01085 – (#25)*
01092 – (#32)*
01096 – (#36)*

Micrometer Item No.

(Std) (VLD) (FLAT)

09063 09163 N.A.
09065 N.A. 09465
09066 09166 N.A.
09067 09167 N.A.
09069 N.A. N.A.
09071 N.A. 09471
09072 N.A. N.A.
09073 N.A. 09473
09074 N.A. 09474
09075 N.A. 09475
09076 N.A. 09476
09077 N.A. 09477
09078 N.A. N.A.
09079 09179 N.A.
09080 09180 N.A.
09081 N.A. N.A.
09083 09183 N.A.
09084 09184 N.A.
09085 09185 N.A.
09092 N.A. N.A.
09096 N.A. N.A.

Designed for those seeking the utmost from their handloads.

Instant Indicator – Headspace and Bullet Seating Depth Comparator

This instrument provides an extremely fast and accurate method for comparing the shoulder position of fired and/or sized cases and bullet seating depth uniformity. The addition of the **“Range Adapter”** makes this instrument more versatile and may now be used at the range or in the field without requiring the use of a reloading press.

Quickly perform any of the following tasks.

- Check uniformity of shoulder bump
- Check bullet seating depth uniformity
- Compare sized cases to fired cases to determine the amount of headspace
- Sort cases fired in two or more rifles
- Sort sized cases for uniformity
- Set up sizing die correctly
- Check trim length uniformity
- Sort bullets for uniformity

Now Supplied with the new “Range Adapter” for added versatility!

All Instant Indicators also include one bore diameter bushing, surface contactor, shoulder contactor, headspace gauge and complete instructions.

“Instant Indicator” w/Dial Indicator ITEM NO. 27XXX \$258.50
w/o Dial Indicator ITEM NO. 17XXX 198.50
1” Dial Indicator ITEM NO. 17999 65.00
Range Adapter ITEM NO. 17014 18.50



Large 1” x .001” dial indicator

Range Adapter

Cartridge availability and ordering numbers Note: The “Instant Indicator” may be used on a family of cartridges with the same shoulder angle.

Cartridge	Item No.	w/o Indicator	Cartridge	Item No.	w/o Indicator	Cartridge	Item No.	w/o Indicator
204 Ruger	27287	17287	6MM Creedmoor	27443	17443	7MM x 57	27138	17138
222 Rem	27109	17109	257 Roberts	27125	17125	7MM Rem Mag	27136	17136
223 Rem	27111	17111	257 Rob Imp 40°	27322	17322	308 Winchester	27155	17155
223 WSSM	27295	17295	25-06 Remington	27120	17120	30-06 Springfield	27148	17148
22-250 Rem	27106	17106	260 Remington	27531	17531	300 Rem SA UM	27275	17275
220 Swift	27107	17107	6.5 Creedmoor	27446	17446	300 WSM	27223	17223
224 VALKYRIE	27387	17387	6.5 x 47 Lapua	27479	17479	300 Win Mag	27153	17153
243 Win	27114	17114	6.5MM x 55	27132	17132	300 Wby Mag	27252	17252
243 Win Imp 40°	27420	17420	6.5MM/284 NORMA (Win)	27415	17415	300 Rem Ultra Mag	27288	17288
243 WSSM	27270	17270	270 Win	27135	17135	338 Win Mag	27163	17163
6MM P.P.C.	27319	17319	280 Ackley Improved	27428	17428	338 Lapua Mag	27594	17594
6MM B.R. Rem	27317	17317	7MM-08 Rem	27139	17139			

“COMPETITION SERIES

For years reloading equipment manufacturers have produced broad range powder measures. We have produced two very successful broad range powder measures; The extremely which is our most popular because of its refinements and the proven reliability of the. Several years ago we began production of our first true “Competition” powder measure. Its phenomenal precision and repeatability prompted engineering to create three other within their unique range.

Competition PR-50

The Precision Rifleman’s Powder Measure

The PR-50 powder measure represents our latest in the series of limited range “Competition” powder measures optimized with the precision rifleman in mind. The engineering target range was approx. 50-60 grains with the ideal use range extending from approx. 35 to 75 grains.

This powder measure uses all of the engineering features and knowledge gained from our other Competition powder measures.

Item No. 03900 Competition Model PR-50 Powder Measure \$362.00

All Competition Powder Measures use a special rotating operating handle which is slightly heavier to help you maintain a more uniform stroke.

I have used the LR-1000 Powder Measure almost since it’s release and have found it quite simply to be the finest measure I have ever used. I was surprised to find that it is not only at home with the huge charges that go in my big British nitro double rifles; but also absolutely accurate in the mid ranges with “30-06 size” charges. It’s accuracy, fit and finish and ease of use are perfect.

Ross Seyfried

Competition LR-1000

Long Range Powder Measure

The popularity of large capacity cartridges like the 338 Lapua Mag. and others have pushed standard powder measures beyond their limits. Redding responded by using over 40 years of benchrest experience to develop a dedicated measure for the long range precision shooter.

- Dedicated large capacity – approx. 25-140 grains.
- “See thru” drop tube – accepts .30 to .45 cal.
- Accepts .22 thru .30 cal with **included** #03814 adapter.
- Extra capacity powder reservoir with adjustable baffle.
- Special operating handle.

ITEM NO. 03800 LR-1000 Powder Measure . . . \$416.00

ITEM NO. 03814
Drop Tube Adapter . . . \$17.50
.22 thru .30 caliber for LR-1000 Powder Measure.
Simple slip-fit over existing drop tube.

ITEM NO. 03815
Drop Tube Adapter . . . \$17.50
.50 caliber for LR-1000 Powder Measure.
Simple slip-fit over existing drop tube.

All “Competition” Measures share t



ADJUSTABLE POWDER BAFFLE
Creates exceptional charge to charge uniformity. Maintains a constant amount of powder above the metering chamber regardless of the level of powder in the reservoir.



ANTI-BACKLASH MICROMETER
A special micrometer used in all Competition Powder Measures eliminates backlash in the screw threads. Your settings will be fast, accurate and exactly repeatable.



POWDER MEASURES

measures with the approach that one unit could do all things reasonably well. Well built "Classic" Model #3, time proven to last for decades, and our #3BR model 3 chassis.

re, the BR-30, optimized specifically for benchrest cartridges. ers for specific shooting disciplines, each scaled to provide the utmost precision

Competition BR-30

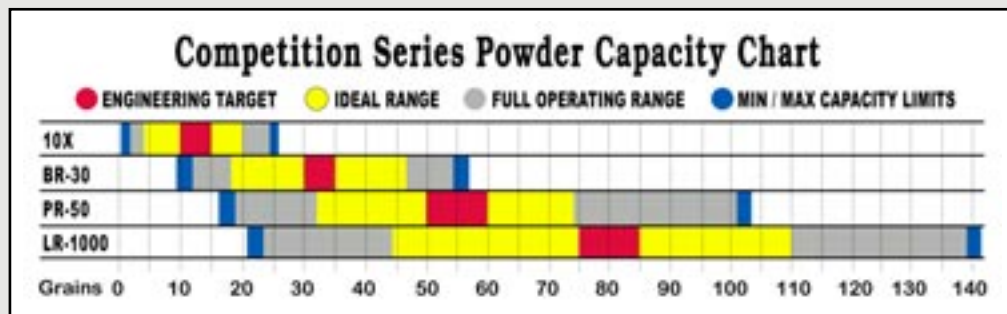
Designed specifically for Benchrest Competition

The Competition BR-30 powder measure was our first truly "Competition" model optimized for Benchrest cartridges at approx. 30 grains (hence the name BR-30).

The engineering task required the creation of an entirely new drum and metering unit. This spawned the development of our unique hemispherical metering chamber resembling the bottom of a test tube. Now used on all "Competition" powder measures this design was responsible for the extraordinary accuracy and repeatability of the BR-30.

ITEM NO. 03300 Competition Model BR-30 Powder Measure \$387.50

If you are a serious competitive shooter or varmint hunter and your loading requirements are generally between 10 and 50 grains . . . this is certainly the measure to choose.



The following engineering features . . .

MICROMETER LOCK SCREW
When the micrometer adjustment screw (opposite side) is loosened to change settings, the micrometer cannot move because it is held in place by the lock screw. Nothing is left to chance.



HEMISPHERICAL METERING CHAMBER
A special metering chamber used in all Competition Powder Measures resembles the bottom of a "test tube" and is responsible for extraordinary accuracy and repeatability.



Competition 10X

Optimized for Handgun and Small Capacity Rifle Cartridges.

This powder measure uses all of the special features of the Competition Model BR-30 combined with an entirely new drum and metering unit designed to provide the most uniform metering of small charge weights.

To achieve the best metering possible at the targeted charge weight of approximately 10 grains, the diameter of the metering cavity was reduced and the metering plunger was given the unique hemispherical cup shape of our successful Model BR-30. The result is a very specialized small capacity powder measure with a charge weight range of approximately 1 to 25 grains.

ITEM NO. 03400 Competition Model 10X Powder Measure \$387.50

IMPORTANT
Redding Powder Measures Are Not Intended For Use With Black Powder!

Shown with Optional Bench Stand and Clamp
...see page 41





Our most popular broad range powder measure...

IMPORTANT
Redding Powder Measures Are Not Intended For Use With Black Powder!

The Competition style operating handle is now supplied with all Model 3BR powder measures

Cast Iron frame — no aluminum parts to wear out in Redding Powder Measures!

Match-Grade Model 3BR Powder Measure

The Match-Grade Model 3BR is based on the time proven accuracy and reliability of the "Classic" Model 3 Powder Measure and utilizes many of the features now used on our Competition Measures.

The 3BR became our most popular powder measure for two very good reasons . . . Its broad range of charging capacity and its performance record.

ITEM NO. 03500 Match-Grade Powder Measure 3BR
with Universal Chamber, Charging range approx. 5 to 100 grains **\$330.00**

ITEM NO. 03700 Match-Grade Powder Measure 3BRK
Includes both metering chambers **\$394.00**



ITEM NO. 03817 Drop Tube Adapter
Fits all Redding Powder Measures and Funnels with a Simple slip-fit.
For .17 & .20 caliber . . . **\$17.50**



ITEM NO. 03818 Drop Tube Extension
4-1/2" extension fits all Redding Powder Measures and Funnels. Simple slip-fit over existing drop tube.
For .22 thru .30 calibers **\$26.00**

"Competition" Features used on the Match-Grade Model 3BR.



ITEM NO. 03331 Handgun Metering Chamber
(Fits only 3BR Measures) Charging range approx. 0 to 10 grains **\$ 88.00**



ITEM NO. 03330 Universal Metering Chamber
(Fits only 3BR Measures) Charging range approx. 5 to 100 grains **\$ 88.00**



ITEM NO. 03932 Competition Upgrade PR-50 Hemispherical Metering Chamber
(Fits only 3BR Measures) Charging range approx. 15 to 100 grains **\$ 88.00**



ADJUSTABLE POWDER BAFFLE
Creates exceptional charge to charge uniformity. Maintains a constant amount of powder above the metering chamber regardless of the level of powder in the reservoir.

MICROMETER LOCK SCREW
When the micrometer adjustment screw (opposite side) is loosened to change settings, the micrometer cannot move because it is held in place by the lock screw. Nothing is left to chance.



ANTI-BACKLASH MICROMETER
A special micrometer used in all Competition Powder Measures eliminates backlash in the screw threads. Your settings will be fast, accurate and exactly repeatable.

Features:

- Shelf mounting bracket included with all Redding Powder Measures.
- Clear powder reservoir.
- Clear "See thru" drop tube accepts all calibers from .22 thru .45 cal.
- Body has standard 7/8"-14 thread to fit mounting bracket and optional bench stand with locking ring for fast dumping.



Time proven accuracy and reliability

The "Classic" Model 3 Powder Measure

The **Original Classic Model 3**, time proven for accuracy and reliability. It has a micrometer metering chamber right in front for easy setting and reading. The micrometer makes it possible to record your favorite settings and return to the same place weeks later. Precision machined cast iron frame proven to last for decades. All Redding Powder Measures feature hand honed frames and hard chromium drums for long life. An extremely sharp cutting surface easily cuts and meters even the most difficult powders.

ITEM NO. 03000 Powder Measure with Universal Metering Chamber, Charging range approx. 5 to 100 grains **\$258.00**

ITEM NO. 03200 Powder Measure Model 3K, Includes both Metering Chambers **\$309.00**

ITEM NO. 03313 Handgun Metering Chamber
(Fits only Model 3 Measures)



Charging range approx. 0 to 10 grains . . . **\$69.50**

IMPORTANT
Redding Powder Measures Are Not Intended For Use With Black Powder!

Model No. 2 Powder & Bullet Scale

The Redding Model No. 2 Powder & Bullet Scale has been designed and manufactured with the utmost attention to accuracy and sensitivity standards.

The Model 2 scale includes a magnetically dampened beam swing for extra fast readings. Hardened and ground knife edges ride in precision milled stainless steel bearing seats that will not crack, chip or lose their alignment.

Its pour spout pan and flat pan platform provide the convenience of an electronic scale with the accuracy and sensitivity of a laboratory beam scale.



ITEM NO. 02000 Master Powder and Bullet Scale . . . \$178.00

All Redding scales are individually hand calibrated, tested and adjusted to U.S. Bureau of Standards Approved Master Weights, and guaranteed accurate to less than 1/10 grain!

Features and Advantages:

- **Lifetime Guarantee.**
- **Magnetically dampened beam.**
- **505 grain capacity**
- **1/10 grain accuracy.**
- **Convenient pour spout pan.**
- **Simple two counterpoise system.**
- **1/10 grain over/under graduations.**
- **No batteries or electronics to fail.**

The graduated plate at the beam pointer is marked in 1/10 grain increments for easy reading of slightly over or under charges — **you know the exact weight at a glance!** All other reloading scales on the market today have only a zero reference.



Model No. 5 Powder Trickler

Add powder to the scale pan a granule or two at a time. Bring underweight charges up to accurate readings fast. Solid, stable, low center of gravity, a full pound of solid steel – it won't squirm all over your bench, ideal height for most powder scales



NO. 05000 . . . \$47.00

We invite you to test the Redding Model 2 Scale!
Put it side by side with any competition regardless of price. Using tweezers, drop one or two granules of powder into the pan and watch the scale beam pointer react, then do the same with our competition. Next, zero the scale properly and move the small 1/10 grain counterpoise 3/10 grain. Watch the scale beam pointer move to an indication of -3/10 grain. Try this with any of our competition.

Die Caliber Reference Chart

Cartridge	Series	Shellholder	Caliber	Pilot No.	Cartridge	Series	Shellholder	Caliber	Pilot No.
17 Remington	B	#10	17 Cal.	15168	6MM Creedmoor	B	#1	6MM	15239
17 Hornet	B	#14			6MM B.R. Remington	B	#1		
17 Ackley Hornet	Custom	#14			6MM Dasher	D	#1		
17 Bumble Bee	Custom	#3			6MM P.P.C. USA	B	#12		
17 Ackley Bee	Custom	#3			6MM International (Walker)	Custom	#1		
17 Mach IV	D	#10			6MM Cheetah Mark I (40°)	Custom	#1		
17 Javelina	Custom	#10			6MM ARC	Custom	#12		
17 He Bee	Custom	#3			6MM/222 Remington	Custom	#10		
17 P.P.C.	Custom	#12			6MM/223 Remington (6MM x 45MM)	C	#10		
17/221 Remington	Custom	#10			6MM/225 Winchester	Custom	#4		
17 Remington Fireball	C	#10			6MM/22-250 Remington	Custom	#1		
17 Tactical	Custom	#10			6MM/22-250 Improved 28° or 40°	Custom	#1		
17/222 Remington	Custom	#10			6MM/284 Winchester	Custom	#1		
17/222 Remington Mag	Custom	#10			6MM/30-30 Winchester	Custom	#2		
17/223 Remington	Custom	#10			6MM/30-30 Win Improved 40°	Custom	#2		
17 B.R.	Custom	#1	17 Cal.	15168	6MM/300 WSM	Custom	#6		
20 Ackley Hornet	Custom	#14	20 Cal.	15200	6MM x 44 BR	Custom	#1		
20 Vartarg	Custom	#10			6MM x 47 Swiss Match	Custom	#1		
20 Tactical	C	#10			6MM x 47 Lapua	• D	#1		
20 Nosler	Custom	#10			6MM x 47 (6MM-222 Rem Mag)	Custom	#10		
204 Ruger	A	#10			6MM x 62 Freres	Custom	#7		
20 P.P.C.	Custom	#12			6MM/06	Custom	#1	6MM	15239
20 B.R.	Custom	#1	20 Cal.	15200	6MM/06 Improved 40°	Custom	#1	6MM	15239
22 TCM	Custom	#10	22 Cal.	15220	25 Remington	D	#5	25 Cal.	15253
218 Bee	B	#3			25 Bullberry	Custom	#2		
218 Mashburn Bee	Custom	#3			25 TCU	Custom	#10		
219 Zipper	C	#2			25 B.R.	Custom	#1		
219 Zipper Improved 28°	Custom	#2			25 Souper (25/308 Win)	Custom	#1		
219 Donaldson Wasp	D	#2			25 WSSM	C	#6		
219 Donaldson Wasp Short (Original)	D	#2			25 Gibbs	Custom	#1		
22 Cheetah Mark I (40°)	Custom	#1			25-06 Remington	A	#1		
22 Cheetah Mark II (28°)	Custom	#1			25-06 Remington Improved 40°	D	#1		
22 Hornet	A	#14			25-20 Winchester	C	#3		
22 K-Hornet	B	#14			25-20 Single Shot	Custom	#10		
22 Lovell 2R (22-3000 G&H)	Custom	#10			25-35 Winchester	D	#2		
22 B.R. Remington	B	#1			25-35 Ackley Improved 40°	Custom	#2		
22 Remington Jet	Custom	#12			25-36 Marlin	Custom	#2		
22 Dasher	Custom	#1			25/221 Remington	Custom	#10		
22 Nosler	A	#10			25/222 Remington	Custom	#10		
22 P.P.C. USA	B	#12			25/222 Remington Mag	Custom	#10		
22 Waldog	Custom	#12			25/223 Remington (25-45 Sharps)	Custom	#10		
22 Savage H.P. (5.6MM x 52R)	D	#2			25/225 Winchester	Custom	#4		
22 Creedmoor	B	#1			25/243 Improved 40°	Custom	#1		
220 Swift	B	#4			25/284 Winchester	D	#1		
220 Swift Imp 40° or 32°	Custom	#4			25/300 WSM	Custom	#6		
220 Russian (5.6MM x 39)	Custom	#12			25/300 Rem SA UM*	Custom	#6		
220 Weatherby Rocket	Custom	#4			25/300 Rem Ultra Mag	Custom	#6		
220 Wilson Arrow	Custom	#4			25/308 Winchester	Custom	#1		
22-250 Remington	A	#1			250 Savage (250-3000)	B	#1		
22-250 Improved 40°	C	#1			250 Savage Improved 40°	D	#1		
22-250 Improved 28°	Custom	#1			250 Savage Improved 28°	Custom	#1		
22/240 Weatherby Mag	Custom	#1			256 Winchester Mag	B	#12		
22/243 Winchester	Custom	#1			257 Roberts	A	#1		
22/243 Improved 40°	Custom	#1			257 Roberts Improved 40°	C	#1		
22/6MM Remington	Custom	#1			257 Weatherby Mag	B	#6		
22/6MM Improved 40°	Custom	#1			257 STW	Custom	#6		
22/243 Middledsted 30°	Custom	#1			257 Durham Jet	Custom	#1	25 Cal.	15253
22/284 Winchester	Custom	#1			256 (6.5MM) Newton	Custom	#1	6.5MM	15260
22/30-30 Winchester	Custom	#2			260 Bobcat	Custom	#1		
221 Remington Fireball	A	#10			260 Remington	A	#1		
222 Remington	A	#10			260 Remington Improved 40°	D	#1		
222 Remington Mag	C	#10			264 Jarretti	Custom	#1		
223 Remington	A	#10			264 Winchester Mag	B	#6		
223 Remington Improved 40°	D	#10			26 Nosler	B	#6		
223 WSSM	C	#6			6.5 GAP 4S	D	#6		
6MM SM Wasp	Custom	#2			6.5 PRC	B	#6		
224 VALKYRIE	A	#5			6.5 Grendel™	C	#12		
224 Weatherby Mag	D	#12			6.5 Bullberry	Custom	#2		
225 Winchester	C	#4			6.5 Creedmoor	A	#1		
5.6 x 50 R Mag	Custom	#12			6.5MM Gibbs	Custom	#1		
5.6 x 57 RWS	Custom	#1			6.5MM B.R.	Custom	#1		
5.7 x 28	D	#34			6.5MM x 47 Lapua	C	#1		
5.7MM Johnson (22 Spitfire)	Custom	#22	22 Cal.	15220	6.5MM Remington Mag	D	#6		
24 Nosler	C	#10	6MM	15239	6.5MM TCU	Custom	#10		
240 Weatherby Mag	C	#1			6.5MM/22-250 Improved 40°	Custom	#1		
240 Gibbs	Custom	#1			6.5-06 (A-Square)	C	#1		
240 Page Super Pooper	Custom	#1			6.5MM/06 Improved 35° or 40°	Custom	#1		
243 Winchester	A	#1			6.5MM x 39 (M.O.A.)	Custom	#12		
243 Winchester Improved 40°	C	#1			6.5MM x 50 Japanese	D	#4		
243 Improved 30°	Custom	#1			6.5MM x 52 Carcano	Custom	#1		
243 Catbird	Custom	#1			6.5MM x 54 Mannlicher	D	#24		
243 WSSM	C	#6			6.5 X 55 Swedish	A	#7		
6mmXC	D	#1			6.5 X 55 Swedish Improved 40°	Custom	#7		
6MM Bullberry	Custom	#2			6.5MM x 55 SKAN	Custom	#1		
6MM Mashburn Mag	Custom	#1			6.5MM x 57 Mauser	D	#1		
6MM Remington	A	#1			6.5MM x 64 Brenneke	Custom	#1		
6MM Remington Improved 40°	D	#1			6.5MM x 65 RWS	Custom	#1		
6MM Remington Improved 30°	Custom	#1			6.5MM x 68	Custom	#19		
6MM TCU	Custom	#10	6MM	15239	6.5MM/223 Remington	Custom	#10		
6MM Wasp	Custom	#2	6MM	15239	6.5MM/243 WSSM	Custom	#6		
					6.5MM/250 Savage	Custom	#1	6.5MM	15260
					6.5MM STW	Custom	#6	6.5MM	15260

Die Caliber Reference Chart

Cartridge	Series	Shellholder	Caliber	Pilot No.
6.5MM Redding (6.5/243 Imp. 30°)	Custom	# 1	6.5MM	15260
6.5MM/257 Roberts	Custom	# 1		
6.5MM/257 Roberts Imp. 40°	Custom	# 1		
6.5MM/284 Win (Norma)	A	# 1		
6.5MM/300 WSM	Custom	# 6		
6.5MM/300 Rem SA UM*	Custom	# 6		
6.5 WBY RPM	C	# 1		
6.5MM/300 Weatherby Mag	D	# 6		
6.5MM/300 Rem Ultra Mag	Custom	# 6		
6.5MM/308 Improved 30° or 40°	Custom	# 1	6.5MM	15260
6.8MM Remington SPC	C	# 5	270 Cal.	15273
6.8 Western	B	# 1		
270 Redding (270/243 Imp. 30°)	Custom	# 1		
270 Winchester	A	# 1		
270 Winchester Improved 40°	Custom	# 1		
270 Weatherby Mag	B	# 6		
270 Gibbs	Custom	# 1		
270 Jarrett	Custom	# 1		
270/257 Roberts Improved 40°	Custom	# 1		
270/284 Winchester	Custom	# 1		
270 WSM	A	# 6		
270/300 Weatherby	Custom	# 6		
270/300 Rem Ultra Mag	Custom	# 6		
270/308 Winchester	Custom	# 1		
270/308 Improved 40°	Custom	# 1		
270/338 Winchester	Custom	# 6	270 Cal.	15273
280 Remington	B	# 1	7MM	15280
280 Ackley Improved	A	# 1		
280/30 British	Custom	# 1		
284 Winchester	B	# 1		
28 Nosler	B	# 6		
284 Baer	Custom	# 6		
7MM Remington Mag	A	# 6		
7MM US	Custom	# 2		
7MM B.R. Remington	B	# 1		
7MM TCU	D	# 10		
7MM ULA	Custom	# 6		
7MM INT-R	Custom	# 2		
7MM INT-X	Custom	# 1		
7MM Super Mag	Custom	# 12		
7MM PRC	C	# 6		
7MM Dakota *	Custom	#404		
7MM IHMSA	Custom	# 1		
7MM/300WSM	Custom	# 6		
7MM Rem SA UM	B	# 6		
7MM WSM	B	# 6		
7MM Weatherby Mag	C	# 6		
7MM Gibbs	Custom	# 1		
7MM Remington Ultra Mag	B	# 6		
7MM STW (Shooting Times)	B	# 6		
7MM-08 Remington	A	# 1		
7MM-08 Improved 30°	Custom	# 1		
7MM-08 Remington Imp. 40°	D	# 1		
7-30 Waters	C	# 2		
7-30 Improved 40°	Custom	# 2		
7MM x 47 (7MM-222 Rem Mag)	Custom	# 10		
7MM x 57 Mauser	A	# 1 (Rimmed #23)		
7MM x 57 Improved 40°	D	# 1		
7MM x 61 Sharpe & Hart	Custom	# 6		
7MM x 64 Brenneke	C	# 1		
7MM x 66 Vom Hofe S.E.	Custom	# 6		
7MM Blaser Mag	Custom	# 6		
7MM/223 Remington	Custom	# 10		
7MM/250 Savage	Custom	# 1		
7MM/300 Weatherby Mag	D	# 6		
7MM/300 Winchester	Custom	# 6		
7MM/300 Remington Ultra Mag	Custom	# 6		
7MM/350 Remington Mag	Custom	# 6	7MM	15280
7.35MM Carcano	Custom	# 24	7.35MM	15295
7.5 French MAS (7.5 x 54)	Custom	# 7	30 Cal.	15304
7.5 x 55 Swiss (K-31)	C	# 2		
7.62MM x 39	B	# 12		
7.62MM Russian (7.62MM x 54R)	B	# 15		
30 B.R.	Custom	# 1		
30 IHMSA	Custom	# 1		
30 Herrett	Custom	# 2		
30 Remington	D	# 5		
30 Remington AR	Custom	# 33		
30 Gibbs	Custom	# 1		
30 Hart Mag	Custom	# 6		
30 x 44 B.R.	Custom	# 1		
30-06 Springfield	A	# 1		
30-06 Improved 40°	C	# 1		
30-30 Winchester (30 WCF)	A	# 2		
30-30 Improved 40°	Custom	# 2		
30-40 Krag	C	# 8		
30/223 Remington	Custom	# 10	30 Cal.	15304

Cartridge	Series	Shellholder	Caliber	Pilot No.
30/284 Winchester	Custom	# 1	30 Cal.	15304
30/338 Winchester Mag	C	# 6		
30 Nosler	B	# 6		
30/8MM Rem Mag (30 Super)	Custom	# 6		
30/350 Remington Mag	Custom	# 6		
30-378 Weatherby Mag	C	# 18		
300/221 Remington	D	# 10		
300 Blackout	B	# 10		
300 H & H Magnum	B	# 6		
300 H & H Improved 40°	Custom	# 6		
300 Savage	B	# 1		
300 Dakota *	Custom	#404		
300 Winchester Mag	A	# 6		
300 Winchester Imp. 40°	Custom	# 6		
300 Weatherby Mag	A	# 6		
300 Mashburn Mag	Custom	# 6		
300 PRC	B	# 6		
300 Herrett	Custom	# 1		
300 Jarrett	Custom	# 6		
300 Pegasus *	Custom	# 35		
300 Baer *	Custom	# 35		
300 Rem SA UM	D	# 6		
300 Lapua Mag	Custom	# 35		
300 Remington Ultra Mag	A	# 6		
300 RCM	Custom	# 6		
300 WSM	A	# 6		
300 Norma Mag	D	# 35		
303 Savage	C	# 21		
308 Marlin Express	Custom	# 2		
308 Winchester/307 Winchester	A	# 1 & # 2		
308 Winchester Imp. 40°	Custom	# 1		
308 Norma Mag	C	# 6		
308 x 1.5 Barnes	Custom	# 1		
308 x 1.75	Custom	# 1		
30/338 Lapua Mag *	Custom	# 35		
30/416 Rigby Improved 40° *	Custom	# 35	30 Cal	15304
7.65MM x 53 Mauser (Belgian)	D	# 1	31 Cal.	15307
7.7MM x 58 Japanese	D	# 1		
303 British	B	# 8	31 Cal.	15307
32 Winchester Spec.	C	# 2	8MM	15319
32 Remington	C	# 5		
32-40 Winchester	C	# 2		
325 WSM	B	# 6		
7.92MM x 33 Kurz Mauser	Custom	# 1		
8MM Gibbs	Custom	# 1		
8MM Remington Mag	Custom	# 6		
8MM Lebel	Custom	# 26		
8MM/06	Custom	# 1		
8MM/06 Improved 40°	Custom	# 1		
8MM/338 Winchester	Custom	# 6		
8MM/300 Winchester Mag	Custom	# 6		
8MM/300 WSM	Custom	# 6		
8MM x 52 R Siamese	Custom	# 18		
8MM x 56 Mannlicher	Custom	# 6		
8MM x 57 Mauser	A	# 1		
8MM x 57 Improved 40°	Custom	# 1		
8MM x 60S	Custom	# 1		
8MM x 64S Brenneke	Custom	# 4		
8MM x 68S	Custom	# 19		
8.15 x 46R	Custom	# 2	8MM	15319
33 Winchester	D	# 18	338 Cal.	15334
33 Nosler	B	# 6		
330 Dakota *	Custom	# 404		
338 Winchester Mag	A	# 6		
338 IHMSA	Custom	# 1		
338 Gibbs	Custom	# 1		
8.6 BLK	D	# 1		
338 Jarrett	Custom	# 6		
338-06 (A-Square)	C	# 1		
338/06 Improved 40°	D	# 1		
338 Weatherby RPM	Custom	# 1		
338/284 Winchester	Custom	# 1		
338/308 Winchester	Custom	# 1		
338 Federal	B	# 1		
338 Marlin Express	Custom	# 36		
338 Norma Mag	Custom	# 35		
338 RCM	Custom	# 6		
338/300 WSM	Custom	# 6		
338/8MM Remington Mag	Custom	# 6		
338/300 Winchester Mag	Custom	# 6		
338/300 Ultra Mag	Custom	# 6		
338/350 Remington Mag	Custom	# 6		
338/378 Weatherby Mag	D	# 18		
340 Weatherby Mag	B	# 6		
338 Lapua Mag	C	# 35		
338 Lapua Mag Imp 40° (Call to verify version)	Custom	# 35		
338 Remington Ultra Mag	B	# 6	338 Cal.	15334

Die Caliber Reference Chart

Cartridge	Series	Shellholder	Caliber	Pilot No.
348 Winchester	C	#20	348 Cal.	15344
35 Remington	B	#1	35 Cal.	15354
35 Winchester	C	#8		
35 Whelen	B	#1		
35 Whelen Improved 40°	D	#1		
35 IHMSA	Custom	#1		
35 Brown Whelen	Custom	#1		
35/284 Winchester	Custom	#1		
35/30-30 Winchester	Custom	#2		
35/8MM Remington Mag	Custom	#6		
35/338 Winchester Mag	Custom	#6		
35/300 Weatherby	Custom	#6		
358/25 WSM	Custom	#6		
35/300 WSM	Custom	#6		
350 Remington Mag	B	#6		
357 Herrett	Custom	#2		
358 Dakota *	Custom	#404		
358 Winchester/356 Winchester	B	#1 & #2		
358 Winchester Imp. 40°	Custom	#1		
358 Norma Mag	C	#6		
358 STA (Shooting Times)	Custom	#6		
9MM x 56 Mannlicher	Custom	#1		
9MM x 57 Mauser	C	#1	35 Cal.	15354
9.3MM x 57 Mauser	Custom	#1	9.3MM	15362
9.3MM x 62 Mauser	C	#1		
9.3MM x 64 Brenneke	Custom	#33		
9.3MM x 74R	D	#6		
370 SAKO Mag	Custom	#1	9.3MM	15362
9.5MM Mannlicher	Custom	#1	375 Cal.	15371
375 Dakota *	Custom	#404		
375 Whelen	Custom	#1		
375 Whelen Improved 40°	Custom	#1		
375 H & H Magnum	A	#6		
375 H & H Magnum Imp. 40°	Custom	#6		
375 Mashburn Mag	Custom	#6		
375 Weatherby Mag	D	#6		
375/284 Winchester	Custom	#1		
375/300 Winchester Mag	Custom	#6		
375/300 WSM	Custom	#6		
375 Ruger	B	#6		
375 Remington Ultra Mag	D	#6		
375/8MM Remington Mag	Custom	#6		
375/338 Winchester	Custom	#6		
375/350 Remington Mag	Custom	#6		
375/444 Marlin	D	#19		
378 Weatherby Mag	D	#18	375 Cal.	15371
416 Remington Mag	C	#6	416 Cal.	15412
416 Ruger	C	#6		
416 Weatherby Mag	D	#18		
416/300 Rem Ultra Mag*	Custom	#6		
416/300 WSM	Custom	#6		
416 Hoffman	Custom	#6		
416 Taylor	Custom	#6		
416 Jarrett	Custom	#18		
416 Rigby *	Custom	#35		
416 Dakota *	Custom	#404		
416 Express	Custom	#6	416 Cal.	15412
404 Jeffery *	Custom	#404	N.A.	N.A.
425 Express *	Custom	#6	N.A.	N.A.
458 SOCOM	C	#1	458 Cal.	15454
458 African *	Custom	#6		
450 Ackley Magnum	Custom	#6		
450 Rigby *	Custom	#35		
450 Dakota *	Custom	#18		
460 Weatherby Mag	D	#18	458 Cal.	15454
470 Nitro Express	D	#31	475 Cal.	15471

THREE DIE SETS

25 ACP (25 Auto)	Custom	#27	N.A.	N.A.
30 Super Carry	Custom	#22	30 Cal.	15304
30 M1 Carbine	A	#22		
7.65MM French MAS Auto	Custom	#14		
30 Luger	D	#13		
30 Mauser (7.62 X 25)	C	#13	30 Cal.	15304
32 Short Colt	Custom	#10	N.A.	N.A.
32 Long Colt	Custom	#10	N.A.	N.A.
32 ACP	B	#22	31 Cal.	15307
32 Smith & Wesson (Short)	Custom	#10		
32 Smith & Wesson Long	A	#10		
32 H & R Magnum	A	#10		
32 S & W Long/32 H & R Mag **	A	#10		
32-20 Winchester	B	#3	31 Cal.	15307

Cartridge	Series	Shellholder	Caliber	Pilot No.
8MM Lebel Revolver	Custom	#3	N.A.	15319
8MM Nambu	Custom	#5	N.A.	15319
38 Super Auto	B	#5	9MM	15351
380 Auto	B	#10		
9MM Steyr	Custom	#13		
9MM Luger	A	#13		
9MM x 18 Ultra	Custom	#10	9MM	15351
9MM Makarov	Custom	#13	9.3MM	15362
351 Winchester S.L.	D	#5	N.A.	N.A.
350 LEGEND	D	#10	35 Cal.	15354
357 SIG	C	#5		
357 Auto Mag	Custom	#1		
357/44 Bain & Davis	Custom	#19		
38 Smith & Wesson	Custom	#12		
38/45 ACP	Custom	#1		
38 Special	A	#12		
357 Magnum	A	#12		
38 Spec./357 Magnum	A	#12		
357 Maximum	Custom	#12	35 Cal.	15354
375 Winchester	C	#2	375 Cal.	15371
375 Super Mag	Custom	#2		
38-55 Winchester & Ballard	C	#2		
38-56 Winchester	D	#18		
38-72 Winchester	Custom	#8	375 Cal.	15371
41 Long Colt	C	#12 or #1	N.A.	N.A.
40 Smith & Wesson	A	#5	10MM	15396
10MM Auto	A	#5		
400 COR-BON	Custom	#1		
40 Super	D	#1		
40 S & W/10MM Auto	A	#5		
10MM Centaur	Custom	#1		
38-40 Winchester	C	#9	10MM	15396
40-70 Sharps (Straight) *	Custom	#8	40 Cal.	15400
40-65 Winchester	C	#18		
40-82 Winchester	D	#18		
401 Winchester S.L.	D	#1		
40-50 Sharps Straight *	Custom	#8		
40-50 Sharps Bottleneck *	Custom	#18		
40-70 Govt (Sharps BN2.1") *	Custom	#18		
40-70 Sharps Bottleneck *	Custom	#18		
40-90 Sharps Bottleneck *	Custom	#18	40 Cal.	15400
405 Winchester	D	#8	41 Cal.	15406
41 Magnum	B	#21		
41 Action Express	Custom	#13		
414 Super Mag	Custom	#21	41 Cal.	15406
44 Russian	Custom	#19	44 Cal.	15426
44 Special	A	#19		
44 Magnum	A	#19		
44 Spec./44 Mag	A	#19		
445 Super Mag	Custom	#19		
44-40 Winchester	A	#9		
444 Marlin	C	#19	44 Cal.	15426
11MM Mauser (11.15 x 60R)	Custom	#16	N.A.	N.A.
45 GAP	—	#1	45 Cal.	15447
45 ACP & AR	A	#1 & #17		
45 Winchester Mag	Custom	#7		
45 S&W Schofield	Custom	#23		
45 Colt/454 Casull	A	#23		
450 Bushmaster	D	#1		
450 Marlin	C	#6		
455 Webley	Custom	#6		
460 S&W Magnum	B	#23	45 Cal.	15447
45-60 Winchester	D	#18 or #26	458 Cal.	15454
45-70 U.S. Govt.	B	#18		
45-90 Winchester (Sharps)	D	#18		
458 x 2" American	Custom	#6		
458 Winchester Mag	B	#6		
458 Lott	D	#6		
45-100 Sharps (Straight) *	Custom	#18		
45-110 Sharps (Straight) *	Custom	#18		
45-120 Sharps (Straight) *	Custom	#18	458 Cal.	15454
470 Capstick *	Custom	#6	475 Cal.	15471
480 Ruger/475 Linebaugh	Custom	#18	475 Cal.	15471
500 S&W Magnum	B	#15	50 Cal.	15496

* Special Price Group

** Use for 327 Federal

• Available in Bushing Dies only

"Custom Series" Dies

Our Series "C" and "D" listings contain many obsolete and wildcat cartridges normally considered custom by other manufacturers. We try to maintain limited quantities of factory inventory on "Custom Series" Dies listed in this catalog on pages 24 thru 26. "Custom Series" Die prices are shown at the right.

Special "One Off" (one of a kind) Custom Dies

Any custom dies (not listed in this catalog) are considered non series or "One Off" (one of a kind) Custom Dies and are priced in a manner reflecting the direct cost associated with their design and manufacture. To purchase "One Off" Custom Dies you will be required to supply the chamber reamer drawing for your cartridge or five (5) fired cases from your chamber in order for us to provide an accurate design. All "One Off" Custom Dies must be fully paid for at the time of your order by check or money order (credit cards are not accepted). You must call, write or e-mail for a price quotation on any "One Off" Custom Die. Since these items are not run on a standard production basis, lead time will be a minimum of 16 weeks after receipt of payment.

Redding reserves the right to decline production of any die or die set which the company feels may produce a cartridge case with inherent design flaws or safety concerns.

"Custom Series" Dies Prices

Custom Two Die Sets	\$ 254.00 *
Custom F.L. Sizer or Neck Sizer	\$ 165.00 *
Custom "Type S" Neck or F.L. Sizer	\$ 225.00 *
Custom "Type S" Neck Die Set	\$ 433.00 *
Custom Deluxe Die Set	\$ 398.50 *
Custom Three Die Set (straight wall cases)	\$ 271.00
Custom Seating Die	\$ 141.00
Custom Taper Crimp Die or Body Die	\$ 115.00
Custom Form Die	\$ 115.00
Custom Form and Trim Die	\$ 143.00
Special Price Group (*)	\$ 280.00

* Add \$10.50 for Tapered Size Button

Popular Case Forming Dies

Case forming dies are made on a custom basis for those who wish to form brass cases from one caliber to another. Most case forming is done to produce ammunition that is not factory available. All wildcat cartridges and many obsolete calibers fall into this category. Case forming dies are designed to change the shape of the original parent case in small increments to avoid overworking the brass and to prolong case life. After using the proper form dies and/or Form & Trim Die, full length resizing is required.

Below are a few examples of commonly formed cartridges listed with their parent case and the forming dies that are required. We make many others and they all come with complete, easy to follow instructions. If you need to form a caliber that is not listed, simply write us or call explaining what you would like to do.

NOTE: Full length resizing is a necessary final operation after all case forming to insure proper chambering.

Part No.		Price
17 Remington From 222 Rem Mag or 204 Ruger		
90217	17 Remington Form #1	\$ 115.00
83217	17 Remington Form & Trim Die	78.50
17 Ackley Hornet From 22 Hornet		
90500	17 Ackley Hornet Form #1	115.00
83500	17 Ackley Form & Trim Die	143.00
11514	Extended Shellholder #14E	29.00
17 Mach IV & 17 Rem Fireball From 221 Remington		
90504	17 Mach IV Form #1	115.00
83504	17 Mach IV Form & Trim Die	110.00
11510	Extended Shellholder #10E	29.00
221 Remington From 222 or 223 Remington		
90101	221 Remington Form #1	115.00
83101	221 Remington Form & Trim Die	59.50
11510	Extended Shellholder #10E	29.00
22 Remington Jet From 357 Magnum		
90304	22 Remington Jet Form #1	115.00
94304	22 Remington Jet Form #2	115.00
83304	22 Remington Jet Form & Trim Die	143.00
11512	Extended Shellholder #12E	29.00
219 Zipper From 30-30 Winchester		
90360	219 Zipper Form #1	115.00
94360	219 Zipper Form #2	115.00
83360	219 Zipper Form & Trim Die	99.00
219 Donaldson Wasp From 30-30 Winchester		
90403	219 Donaldson Wasp Form #1	115.00
94403	219 Donaldson Wasp Form #2	115.00
83403	219 Donaldson Wasp Form & Trim Die	110.00
22 Savage H.P. From 30-30 Winchester		
90338	22 Savage H.P. Form #1	115.00
83338	22 Savage H.P. Form & Trim Die	110.00
6MM PPC From 7.62MM x 39		
90319	6MM PPC Form #1 Die	115.00
83319	6MM PPC Form & Trim Die	78.50
11512	Extended Shellholder #12E	29.00

Part No.		Price
256 Winchester Magnum From 357 Magnum		
90233	256 Winchester Magnum Form #1	\$ 115.00
94233	256 Winchester Magnum Form #2	115.00
83233	256 Winchester Magnum Form & Trim Die	78.50
11512	Extended Shellholder #12E	29.00
25-35 Winchester From 30-30 Winchester		
90221	25-35 Winchester Form #1	115.00
83221	25-35 Winchester Form & Trim Die	110.00
6.5MM Rem Mag From 7MM Rem Mag or 338 Win Mag		
83266	350 Rem Mag Form & Trim Die	78.50
90231	6.5MM Rem Mag Form #1	115.00
83231	6.5MM Rem Mag Form & Trim Die	110.00
7MM STW From 8MM Remington Magnum		
83544	7MM STW Form & Trim Die	78.50
7.65MM x 53 Mauser From 30-06 Springfield		
83243	7.65MM x 53 Mauser Form & Trim Die	110.00
7.7MM x 58 Japanese From 30-06 Springfield		
83244	7.7MM x 58 Japanese Form & Trim Die	110.00
33 Winchester From 45-70 Govt.		
90205	33 Winchester Form #1	115.00
83205	33 Winchester Form & Trim Die	110.00
357 Herrett From 30-30 Winchester		
83267	357 Herrett Form & Trim Die	143.00
350 Remington Mag From 338 Winchester Mag		
83266	350 Remington Mag Form & Trim Die	78.50
356 Winchester From 444 Marlin		
83227	358 Win/356 Win Form & Trim Die	78.50
38-56 Winchester From 45-70 Govt.		
90463	38-56 Winchester Form # 1	115.00
83463	38-56 Winchester Form & Trim Die	110.00
40-65 Winchester From 45-70 Govt.		
83465	40-65 Winchester Form & Trim Die	99.00

The T-7 combines strength, power and convenience with the speed and versatility of a turret press.



Rear casting support assures a rigid turret and precise alignment.

Shown with optional "Slide Bar Automatic Primer Feeder System".

Features:

- Seven station turret head with operating handle
- Heavy duty cast iron frame for strength and wear resistance
- Powerful compound linkage with positive ram stop.
- 1" diameter ram
- 4-3/4" press opening
- 3-13/16" ram stroke
- Ball handle
- "Spent primer collection system"
- Accepts all standard 7/8"-14 threaded dies and universal shell holders
- Shellholders may be rotated to any comfortable position desired
- "Smart" primer arm for seating small and large primers
- Interchangeable turret heads
- Competition die compatible

"Cast iron construction, powerful compound linkage and a rigid seven station turret make this the best turret press ever!"

The T-7 Turret Reloading Press

In our effort to create the ultimate turret press our engineering team started with time proven cast iron construction and a turret support second to none. The powerful compound linkage has over 3.8" of ram travel. A 1" diameter ram was chosen with the "smart primer arm" and "spent primer collection system" borrowed from our Ultramag. Another station was added to the turret for greater versatility and an optional "Slide Bar Automatic Primer Feeding System" was designed.

Built with the precision you expect from Redding, customers say "this is the best turret press ever."

The Slide Bar Automatic Primer Feeder System also fits the Big Boss Presses. See below for details.

ITEM NO. 67000 \$639.50

Available in kit form with shellholder, and Series "A" die set (excludes Deluxe Set). To order, replace XXX with the last three numbers from the Series "A" dies (page 11)

ITEM NO. 67XXX \$730.80

Spare 7 Station Turret w/bushing
ITEM NO. 67002 \$149.50



Unique! Turret Stacker

A convenient system for storing extra turret heads. Supplied with an assortment of spacers allowing up to three turrets to be stacked with dies installed, thus preserving their adjustment. This system also prevents damage to decapping rods and pins when dies are not in use.

ITEM NO. 67950 \$80.50

Optional Slide Bar Automatic Primer Feeding System

Eliminates handling of primers, and speeds up reloading operations. Complete with tubes for both large and small primers. Capacity: approximately 100 primers. Fits the T-7 and Big Boss Presses.

ITEM NO. 99600 \$93.90



Slide Bar Primer Arm Assembly

Quickly change primer size by simply exchanging the entire slide bar assembly.

ITEM NO. 99587 - Large. \$25.50
ITEM NO. 99586 - Small. \$25.50



Now supplied with both large and small slide bar assemblies. See "Primer Arm Assembly Update" - page 30

These top of the line single station presses have the largest window opening and longest usable ram stroke of any in their class.

The Big Boss II and original Big Boss Reloading Presses

Both the original Big Boss and the new Big Boss II reloading presses have all the desirable features of the "Boss" reloading press, but are built on heavier frames with a 1" diameter ram and longer 3.8" usable ram stroke for reloading the largest magnum cartridges.

The Big Boss II now features the unique Redding "Spent Primer Collection System" used on the T-7 and Ultramag presses.

This top of the line single station press has the largest window opening and longest usable ram stroke of any press in its class.

Simply, the only press you will ever need!

ITEM NO. 79000 Big Boss \$367.00
(Big Boss Press supplied with "Boss" style primer catcher.)

ITEM NO. 97000 Big Boss II \$408.00
Both available in kit form with shellholder, and Series "A" die set (excludes Deluxe Set). To order, replace XXX with the last three numbers from the Series "A" dies (page 11)

ITEM NO. 79XXX Big Boss \$458.00

ITEM NO. 97XXX Big Boss II \$499.00

ITEM NO. 97601 Big Boss II ram only . . . \$72.50

Optional bushing for 1"-14 threaded dies

ITEM NO. 70030. \$34.50

"Spent Primer Collection System"

Spent primers automatically drop through the large diameter hollow ram into a handy flexible plastic tube that can hold hundreds of spent primers before emptying, or be easily routed to your trash container.



"Smart Primer Arm"

"Smart" primer arm automatically swings into position during the ram stroke and flips out of the way when not in use. For maximum sensitivity at the lowest possible leverage, priming is done at the end of the ram stroke.

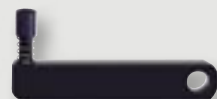


Smart Primer Arm Assembly

Quickly change primer size by simply exchanging the entire primer arm assembly.

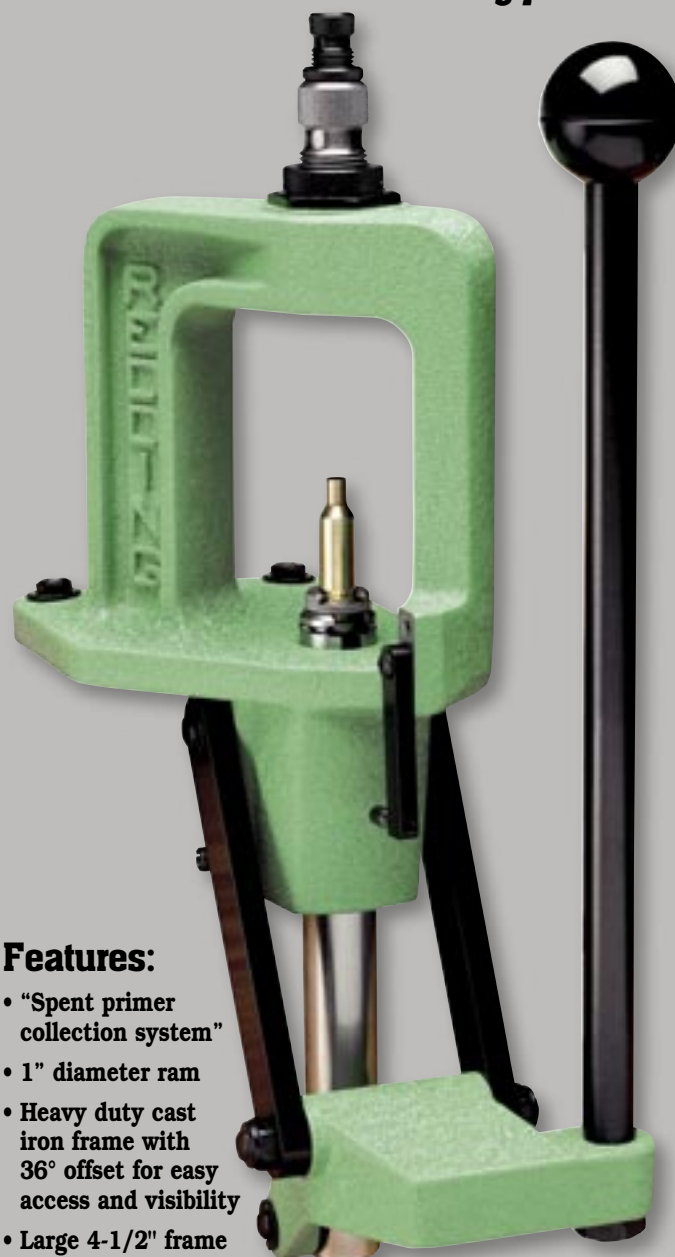
ITEM NO. 99502 - Large. . . . \$24.00

ITEM NO. 99501 - Small. . . . \$24.00



Both primer arm assemblies are now supplied with the T-7 and Big Boss Presses. See page 30" - Primer Arm Assembly Update "

The Big Boss II –
Now featuring the unique Redding
"Spent Primer Collection System"
used on the T-7 and Ultramag presses.



Features:

- "Spent primer collection system"
- 1" diameter ram
- Heavy duty cast iron frame with 36° offset for easy access and visibility
- Large 4-1/2" frame opening
- 3-13/16" of ram stroke for easy reloading of magnum cartridges
- Offset/straight pull ball handle for ease of operation
- "Smart" primer arm that moves in and out of position with ram travel
- Heavy duty compound linkage
- Steel adapter bushing accepts all standard 7/8"-14 threaded dies and is removable for use with oversized dies
- Frame with bushing removed accepts 1-1/4" - 12 dies

**The Quality of Cast Iron at
The Price of Aluminum!**

The Boss Reloading Press

This press that has all the features reloaders look for. It's cast iron construction insures that it will last a lifetime, yet it is priced with light-duty aluminum presses! The BOSS is powerful, remarkably easy to use, and yet sensitive enough to seat primers without crushing them.

Take a look at all the features The BOSS offers and you'll be convinced...when it comes to "O" Type reloading presses, this one is truly a smart choice.

ITEM NO. 72100 \$289.00

Available in kit form with shellholder, and Series "A" die set (excludes Deluxe Set). To order, replace XXX with the last three numbers from the Series "A" dies (page 11)

ITEM NO. 72XXX \$381.00



Features:

- Rigid cast iron frame
- 36° frame offset gives the best visibility and access of all comparable presses
- "Smart" primer arm automatically moves in and out of position with ram travel. Priming arm is positioned where it should be... at the bottom of ram travel for the lowest leverage and best feel
- Offset handle is in the most comfortable operating position yet out of the way for best access and visibility
- Positive ram travel stop
- Powerful compound linkage
- 3 holes for rigid mounting
- Accepts all standard 7/8"-14 threaded dies and universal shellholders
- Shellholders may be rotated to any comfortable position desired
- Includes primer catcher

Ball Handle Conversion



Convenient, easy-to-attach conversion for those who prefer a ball handle on their reloading press. Fits the Redding BOSS and other reloading presses that use a 5/8" handle diameter. Easily attaches without machining or threading.

ITEM NO. 99175 \$15.80

- NOTICE -
Primer Arm Assembly Update

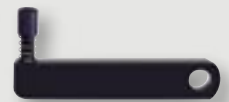
Effective January 2020, for the convenience of our customers, all Redding Reloading presses and the optional "Slide Bar Primer Feed System" will be shipped with two primer arm assemblies, one each for both large and small primers. Each assembly will have the large or small primer cup permanently affixed and sealed. This will eliminate all assembly and adjustment that was previously required for a primer size change.

Smart Primer Arm Assembly

Quickly change primer size by simply exchanging the entire primer arm assembly.

ITEM NO. 99154 - Large. . . . \$24.00

ITEM NO. 99151 - Small. . . . \$24.00



Both primer arm assemblies are now supplied with the Boss and Ultramag Presses.

“The largest and strongest press available for the toughest reloading chores...”

(HANDLOADER Magazine, No. 148)

The Ultramag Reloading Press

At a glance you will see what sets the ULTRAMAG apart from all other reloading presses: the unique location of its compound leverage system. Unlike other reloading presses which connect the linkage to the lower half of the press, the ULTRAMAG'S leverage system is connected to the top of the press frame. This allows you to develop literally tons of pressure without the usual concern about press frame deflection or misalignment.

The ULTRAMAG features a huge 4-3/4" frame opening and 4-1/8" of usable ram stroke, making it ideal for loading oversized cartridges such as the old Sharps "Buffalo Cartridges" and British "Nitro-Express" rounds.

Its unique long link compound leverage system has more mechanical advantage over a greater distance than any other reloading press on the market. This makes "childs play" of difficult case forming operations.

ITEM NO. 70000 \$661.00

Available in kit form with shellholder, and Series "A" die set (excludes Deluxe Set). To order, replace XXX with the last three numbers from the Series "A" dies (page 11)

ITEM NO. 70XXX \$753.00

• Optional bushing for 1" - 14 die threads.

ITEM NO. 70030 \$34.50



“Smart Primer Arm”

“Smart” primer arm automatically swings into position during the ram stroke and flips out of the way when not in use. For maximum sensitivity at the lowest possible leverage, priming is done at the end of the ram stroke.



“Spent Primer Collection System”

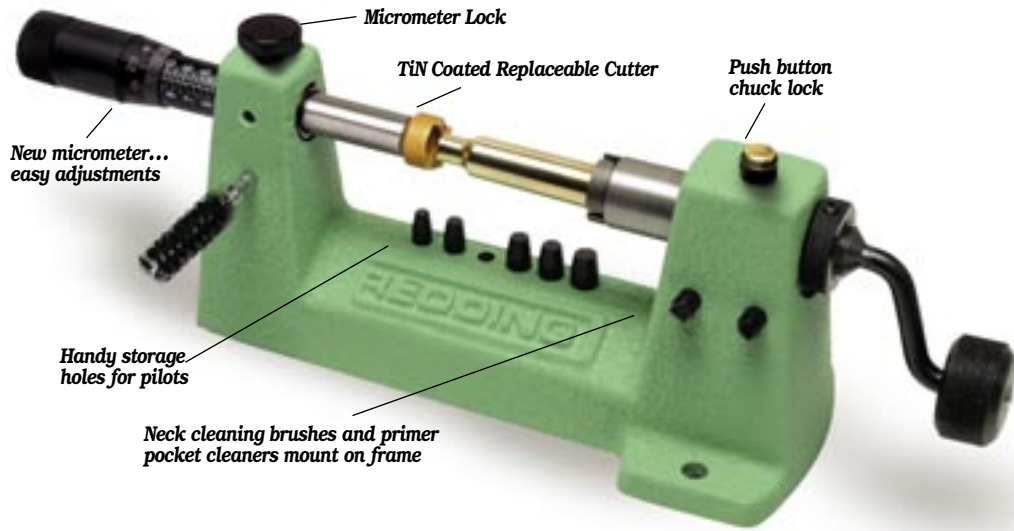
Spent primers are automatically collected in the large diameter hollow ram. They then drop into a handy flexible plastic tube that can hold hundreds of spent primers before emptying, or be easily routed to your trash container.



Features:

- The frame is constructed of high grade cast iron for strength, long life and wear resistance
- Four mounting holes provide rigid mounting
- Offset handle is out of the way for all reloading operations
- All linkage pins are heat treated, precision ground and in double shear
- Steel adapter bushing accepts standard 7/8"-14 threaded dies and is removable for use with oversized dies
- Frame with bushing removed accepts 1-1/4" - 12 die threads
- "Smart" primer arm that moves in and out of position with ram travel
- “Spent primer collection system”
- See page 30 for Primer Arm Assembly update.

Model 2400 Match Precision Case Trimming Lathe



The most noteworthy feature of the Model #2400 Case Trimming Lathe is the new Micrometer which adds precision and repeatability to the case length adjustment. Changes as little as .001" can be easily "dialed in".

The innovative new push button chuck lock simplifies loading and unloading while facilitating perfect alignment of the case and pilot. The design of the new push button chuck lock, combined with the extended cast iron frame of the Model #1400-XT, increases case length capacity; accommodating not only the latest long action cartridges but old time classics as well.

ITEM NO. 24000 \$ 356.00

Model 2400 features:

- New micrometer...easy adjustments of .001".
- Cast iron frame to maintain precision alignment.
- New push button collet chuck is ideally suited for use with optional power adapter.
- Handles 17 to 50 Cal, up to 3-1/4" case length.
- Universal collet fits all popular cases – no others to buy.
- TiN (Titanium Nitride) coated replaceable cutter.
- Storage holes for pilots.

Model 1400-XT Case Trimming Lathe

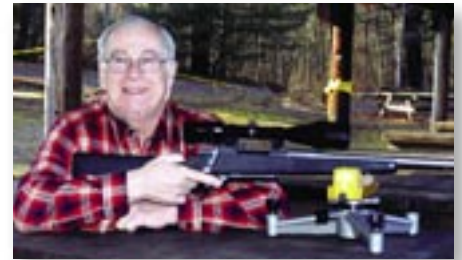


The Model #1400-XT Case Trimming Lathe uses a cast iron frame that has been extended to handle all the latest long action cartridges. The frame is cast iron because it is a perfect bearing surface, will not wear out and will maintain its precision and alignment for years of service.

ITEM NO. 14000 \$ 204.80

Both the Model #1400-XT and the #2400 Case Trimming Lathes are supplied with the following:

- Universal collet fits all popular cases.
- TiN (Titanium Nitride) coated replaceable cutter.
- Six pilots - .22 cal., 6mm, 6.5mm, .270 cal., 7mm and .30 cal.
- Two neck cleaning brushes (.22 thru .30 cal.)
- Large and small primer pocket cleaners.



"The New 2400 Case Trimming Lathe is another "Home-Run" for Redding. Your equipment is very well thought out."

Rich Maretzo

Model 1400-XT features:

- Cast iron frame to last a lifetime.
- Universal collet fits all popular cases – no others to buy.
- Handles 17 to 50 Cal, up to 3" case length.
- TiN (Titanium Nitride) coated replaceable cutter.
- Coarse and fine adjustments for case length.
- Storage holes for pilots.

Redding "case trimming lathes" are the only case trimmers on the market that turn the case and not the cutter. This feature guarantees a perfectly square case mouth with every cut.



3/16" Shank Pilots may also be used on Hornady and Forster trimmers.



Universal Collet accepts all popular cases – no others to buy!



New replaceable (TiN) Titanium Nitride coated high speed cutters.



Optional Power Adapter with 1/4" hex for use with cordless screwdrivers. Works with both trimmers.

ITEM NO. #14025 . . . \$ 24.00

- ITEM NO. 14040 TiN Cutter (17 & 20 caliber)* . . . \$ 45.00**
- ITEM NO. 14045 TiN Cutter & Shaft Complete . . . 57.00**
- ITEM NO. 14050 TiN Cutter (Standard) 45.00**

- ITEM NO. 15XXX Pilots \$ 9.50**
- ITEM NO. 99301 Special Collet for 470 Nitro . . . 33.50**

Item No. 14045 assembly fits only Model 14 & 1400 Trimmers. The Model 2400 micrometer will not fit any other Trimmer.

Case Neck Gauge

One of the most important tools you will ever use!

Provides a quick and easy way to sort cases by neck wall thickness and uniformity. This tool allows you to accurately *measure* the neck wall thickness of the cartridge case and determine its uniformity, (see below Tech-Talk – *The Importance of Case Neck Uniformity*.)

Two mandrel sizes are supplied to allow measurement of all cases from .17 cal. to .338 cal. including cases with small (.060) flash holes. For your convenience the mounting base allows direct attachment to your reloading bench, or use the Redding No. 30520 double “C” clamp (see page 41).

Pilot stops are required for each caliber (see chart on page 34). Two pilot stops are supplied with the tool, #06121, .22 cal. and #06130, .30 cal.

ITEM NO. 26400

Case Neck Gauge complete w/large 1" x .001" dial indicator \$189.00

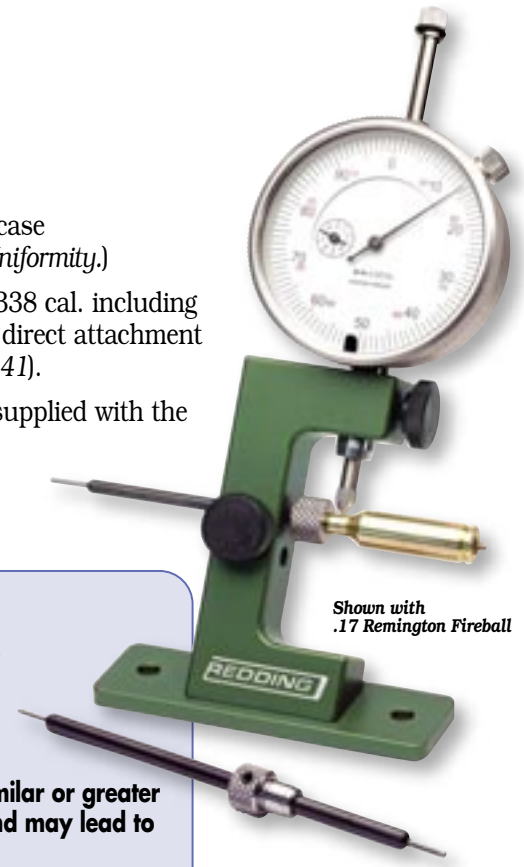
– Tech Talk – The Importance of Case Neck Uniformity

Uniformity of case neck wall thickness is an indication of the quality of the cartridge case itself.

Any large variation (over .0015") in neck wall thickness will generally indicate a similar or greater variation in the body and shoulder of the case. This variation cannot be corrected and may lead to concentricity and bullet runout problems.

Most competition shooters that have been forced to turn necks to properly fit “tight neck” chambers will confirm the following: “Turning the necks of poor quality cases will not solve the problems associated with the poor uniformity that remains within the shoulder and body of the case.”

As in all handloading practices - uniformity is the key to accuracy.



Slant Bed Concentricity Gauge

Quickly identify excessive case neck and bullet run-out of your loaded rounds.

The unique ergonomic design improves precision and ease of use. A fixed vertical indicator stand places the indicator face at the ideal sight angle of 30° and eliminates the possibility of off-center readings.

The "Slant Bed" design moves the bearing surface down and away from the user, making case rotation easier and more precise. Precision stainless steel bearings provide single point contact with the cartridge case. Linear adjustment for various cartridge lengths is simplified with bearing sliders mounted on stainless steel guide ways.

Features:

- Ergonomic Design - Ready to Use - Shipped complete w/dial indicator.
- Fixed indicator position - eliminates set-up errors.
- Precision stainless steel bearings mounted on linear guide ways will accept any cartridge case from 17 Hornet to 408 CheyTac.
- Supplied with non-skid rubber feet or use the direct mounting holes.
- May be easily converted to left hand arrangement.

ITEM NO. 26100

Slant Bed Concentricity Gauge complete w/large 1"x.001" dial indicator \$252.00



Primer Pocket Uniformers

Redding Primer Pocket Uniformers are precision ground carbide tools designed to cut primer pockets to a uniform depth and square to the case head.

The depth of cut is to SAAMI specifications and is controlled by a shoulder ground into the cutter that cannot change.

Available for large and small rifle primer pockets. Each cutter is supplied with an integral holder having a #8-32 threaded shank to fit the Redding #18005 accessory handle.



Unique chatterless
5 flute design

ITEM NO. 09100 Large Rifle Primer Pocket Uniformer

with accessory handle & power screwdriver adapter \$ 59.50

ITEM NO. 09105 Small Rifle* Primer Pocket Uniformer

with accessory handle & power screwdriver adapter \$ 59.50

ITEM NO. 09110 Optional - Power Screwdriver Adapter

(1/4" hex O.D. with #8-32 I.D. threads) \$ 6.80

**Note: Small Rifle Primer Pocket Uniformer is dimensionally correct for small pistol. Do not use the Large Rifle Primer Pocket Uniformer for Large Pistol.*

Flash Hole Deburring Tools

During the manufacturing process, burrs that can cause erratic ignition are often left inside the case at the flash hole.

Redding now manufactures two different tools for removal of flash hole burrs. Both tools use pilot stops listed below.

The universal tool is for all calibers from .22 thru .338 cal. using standard (.080") flash holes. This tool controls the cutting depth with a built-in stop that locates on the inside web of the case. A unique feature of this tool is the cross drilled hole for chip relief. Uses standard pilot stops for 3/16" mandrels.

The small tool is for .17 & .20 cal. and cases with small (.060") flash holes. This tool *does not* control the cutting depth. The operator must control the cutting depth using the small pilot stops for 9/64" mandrels

ITEM NO. 06100 Universal Flash Hole Deburring Tool w/handle
(supplied with #06130 .30 cal. pilot stop) \$ 52.00

ITEM NO. 06110 Small Flash Hole Deburring Tool w/handle
(supplied with #06121 .22 cal. pilot stop) \$ 52.00

ITEM NO. 18005 Lg. Accessory Handle with #8-32 thread . . \$ 14.50

ITEM NO. 06103 Sm. Accessory Handle with #6-32 thread . . \$ 14.50



Stainless Pilot Stops

Precision CNC machined stainless steel for use with the Redding Case Neck Gauge and Flash Hole Deburring Tools.

Designed to properly fit new and resized case necks, these pilot stops feature a very unique shape. Slightly undercut, this shape will not pick up imperfections at the case mouth or neck/shoulder junction resulting in smooth accurate indicator readings when used with the new Case Neck Gauge.

Two sizes are available because of the small (9/64") mandrels used for .17 & .20 cal. and small flash holes. The larger size (for standard 3/16" mandrels) work equally well with the tools of other manufacturers.

Item No.	Caliber	Item No.	Caliber	Item No.	Caliber
06117	.17 CAL.*	06125	.25 CAL	06130	.30 CAL.
06120	.20 CAL.*	06126	6.5MM	06139	.30 CAL.*
06121	.22 CAL.*	06129	6.5MM*	06131	.31 CAL.
06122	.22 CAL.	06127	.270 CAL.	06132	8MM.
06123	6MM*	06128	7MM	06133	.338 CAL.
06124	6MM				

* Pilots for small diameter 9/64" mandrels

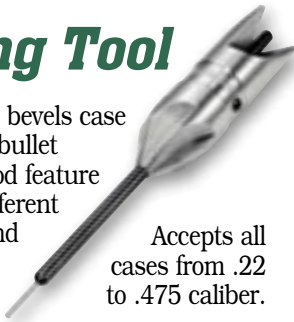
ITEM NO. 061XX Stainless Pilot Stop \$ 15.50 ea.

Piloted Deburring Tool

Removes burrs and bevels case mouths for ease of bullet seating. The pilot rod feature is adjustable for different cartridge lengths and insures chamfer concentricity to the case mouth.

Hardened precision ground flutes make clean, easy, chatterfree cuts.

NO. 09060 \$ 53.50



Accepts all cases from .22 to .475 caliber.

Classic Deburring Tool

Removes burrs and bevels case mouths for easy bullet seating. Hardened precision ground flutes make clean, easy, chatterfree cuts. Accepts all cases from .17 to .45 caliber.

NO. 09000 \$ 48.00



Piloted Inside Chamfering Tool

Model 15-P
This piloted chamfering tool features the perfect inside cutting angle of 15°. The pilot rod with attached accessory handle is adjustable for different cartridge lengths and insures the concentricity of the I.D. chamfer to the case mouth. Hardened precision ground flutes make clean, easy, chatterfree cuts. Accepts cases from .22 to .45 caliber.

NO. 09030 \$ 53.50



Reloading Kits provide a substantial savings over the cost of individual items

Pro-Pak Reloading Kits



“Precision Tools to last a lifetime!”

We’ve selected some of our most popular reloading components and put them in a money-saving package. This kit was created for both the first-time reloader and for the more advanced reloader desiring to upgrade equipment.

The Boss and Big Boss Pro-Paks include the following:

- The Boss or Big Boss Reloading Press – Our most popular single station presses.
- Model 2 Powder and Bullet Scale. The most sensitive and most accurate balance beam scale on the market.
- Powder Trickler – Heavy, stable companion to the powder scale.
- Case Lube Kit – Consists of a non-skid lube pad and Imperial Bio-Green case lube.
- Deburring Tool – Provides clean chatterless cuts.
- Case Preparation Kit – Accessory handle with all the tools and brushes you need to properly clean your fired cases.
- Powder Funnel – Made of tough Lexan® and nearly indestructible
- Hodgdon Annual Manual – Reloading information using Hodgdon, IMR & W-W powders and a variety of helpful handloading articles.

BOSS PRO-PAK — NO. 20000 \$ 639.50

BIG BOSS PRO-PAK — NO. 40000 712.00

BIG BOSS II PRO-PAK — NO. 57000 753.00

Versa Pak & Versa Pak Pro Advanced Reloading Kits

“Whether your goals include record books or record bucks, the best ammunition in the world comes from your hands and our tools.”

The Versa Pak

As the name implies the Versa Pak was created for versatility, offering all of the products a serious handloader needs, (without the press and dies), at a substantial savings over the cost of the individual items. This allows the first time or seasoned handloader to improve his or her experience with, not just the best equipment but equipment best suited to his or her individual needs. The Versa Pak includes all the items listed in the Pro Pak plus our Classic Model 3 Powder Measure, a 1400 XT Case Trimmer, Imperial Application Media, 1 oz. Redding Brand of Imperial Sizing Die Wax. When mated with any Redding press and dies you can build a package for a lifetime of service.

The Versa Pak Pro

The ultimate upgrade of the Versa Pak replaces the 1400 XT Case Trimmer with our unique Micrometer Adjustable Model 2400 Case Trimming Lathe (Page 32). It also adds the Match Grade model 3BR Powder Measure (Page 22) in place of the Classic Model 3.

ITEM NO. 35750 \$ 1045.00



ITEM NO. 35000 \$ 831.00

SAECO – a product of Redding Since 1985

Considered by many to be the finest lubricator/sizer available.

SAECO Lubri-Sizer

A single stroke seats gas checks, swages bullets to proper diameter, and lubricates them. The pressurized reservoir lubricates from 20 to 50 bullets between turns of the lube control handle. Parallel guide rods assure proper alignment of the top punch and sizing die, resulting in maximum bullet concentricity.

Those who prefer to shoot bullets “as cast” will appreciate the exclusive swing out gas check seater which allows the option of seating gas checks without sizing.

A combination of compound leverage and extra length operating handle substantially reduces physical effort.

ITEM NO. 30000 \$ 414.50

Sizing Dies and Top Punches are not included and should be ordered according to caliber and bullet design.



SAECO Bullet Lubricants

SAECO GOLD – Pistol Lubricant

The original alox free formula developed by SAECO. Keeps barrels cleaner and reduces leading to a minimum for superior accuracy. Also makes an excellent fluxing agent and works equally well in rifles.

SAECO TRADITIONAL – Rifle Lubricant

This is the NRA formula for Alox and bees wax. We use natural yellow beeswax, not synthetics. Formulated to prevent leading and improve accuracy at higher velocity levels.

SAECO GREEN – Rifle and Pistol Lubricant

An original SAECO formula brought back. Contains no alox. Slightly harder than the other SAECO lubes.

Available in Solid or Hollow Sticks . . . \$ 14.00

Top Punches

SAECO's exclusive tapered shoulder assures positive alignment with die body. A single Top Punch may be used interchangeably with several bullets of similar design. See Mould Table for top punch number **\$ 33.00**



Top Punches Lyman/RCBS Type

Straight shank type top punches designed to fit the Lyman and RCBS Lubrisizers and SAECO bullets. See mould table for “LR” top punch number. **\$ 33.00**



SAECO Sizing Dies

SAECO sizing dies are made with a unique pre-lead that fits the “as cast” bullet diameter. This insures that bullets feed into the sizing diameter in absolute straight alignment. The dies are finished by internal honing known as micro-finishing which produces a mirror finish and a sizing hole that is perfectly round. Your bullets will look like polished silver with no lead shavings.

ITEM NO. 30XXX \$ 77.50

For order No., replace XXX with size from chart below.

DIE SIZES AVAILABLE:

.224 .225 .244 .251 .258 .265 .266 .278 .285 .286 .308 .309 .310 .311 .312 .313 .314 .321 .322 .323 .324 .325 .338 .339 .349 .354 .355 .356 .357 .358 .359 .360 .364 .365 .366 .375 .376 .377 .378 .401 .408 .409 .410 .411 .417 .427 .428 .429 .430 .431 .451 .452 .454 .455 .458 .459 .460



SAECO Lead Hardness Tester

A precision instrument to accurately determine the hardness of a bullet casting alloy.

A SAECO Lead Hardness Tester will pay for itself many times over by allowing you to convert inexpensive scrap lead of unknown composition into casting alloy of known and reproduceable hardness. It provides a standard by which you can check the quality of purchased cast bullets. The SAECO Lead Hardness Tester measures alloy hardness by determining the depth of penetration of a hardened steel indenter into a bullet. Relative hardness of the bullet is read off a vernier scale.

The vernier scale is calibrated in arbitrary units from 0 for pure lead up to a SAECO hardness of 10. We have found that a SAECO hardness of at least 6 is required for medium velocities in handguns and a SAECO hardness of over 8 for Magnum handgun and gas check rifle bullets. As a point of reference, wheelweights vary in composition and hardness but usually test between 7 and 9, while linotype registers approx. 10.



Relative Hardness	SAECO	Brinell (Approx.)
Pure lead	0-1	5
1:20 tin: lead	6-7	10
5:5:90 tin:		
antimony: lead	7-8	15
2:6:92 (taracorp)	8-9	16-17
(magnum alloy)		
5:10:85 (linotype)	9-10	22

ITEM NO. 42000 \$ 328.00

SAECO Precision Bullet Moulds



WARNING:

WARNING: This product can expose you to lead, which is known to the State of California to cause cancer, birth defects, or other reproductive harm.

For more information go to www.p65warnings.ca.gov



All SAECO moulds are machined from solid cast iron blocks one cavity at a time. Using the same cutting tool (cherrie) for each cavity on digital equipment guarantees that each cavity duplicates the previous one. You don't need to pay a premium for matched cavities. SAECO even developed its own blend of copper alloyed pearlitic cast iron for tight grain structure, dimensional stability and extended life. The steel sprue plates are held firm against the mould blocks by high-temperature spring washers to insure uniform bullets with square bases.

1 Cavity "Magnum" .. \$ 173.50 2 Cavity "Magnum" .. \$ 232.50 SPECIAL ORDER 3 CAVITY MOULDS
2 Cavity 195.00 4 Cavity 326.50 All 3 cavity moulds are made on a special
order basis only. \$ 263.00

"Magnum" Mould Blocks Available in Single and Double Cavity

"Magnum" mould blocks were created to insure more uniform temperature control and casting consistency when casting large diameter and/or heavy bullets. Single cavity "Magnum" moulds are made from our normal double cavity blocks. Double cavity "Magnum" moulds are made from our normal triple cavity blocks, with wider spacing.

"Magnum" moulds can be ordered for any caliber or weight bullet and are required for those moulds marked with asterisk*.

Mould Handles

Castings are ductile iron with solid hardwood grips. They should be ordered separately and fit all SAECO mould blocks.

ITEM NO. 29000 ... \$ 88.50

Traditional Bullet Moulds

For Black Powder Cartridges & Cowboy Action Shooting

All SAECO bullet moulds must be ordered with the SAECO bullet number. Illustrations not to scale.

	30 CAL. RIFLES		32-20 WIN	32-40 WIN		38 SPL/ 357 MAG	38-40 WIN	38-55 WIN		
No.	630	315	322	632	*732	358	401	638	738	*571
Designation	140gr. FP	175gr. TCGC	118gr. RNFP	165gr. RNFP	200gr. RNFP	158gr. RNFP	190gr. RNFP	225gr. RNFP	255gr. RNFP	300gr. RNFP
Sizing Die	.309	N.R.	.313	N.R.	N.R.	.358	.401	N.R.	N.R.	N.R.
Top Punch	30530	30329	30254	30530	30530	35353	40101	37570	37570	37570
◆ LR Top Punch	46511	46509	46507	46511	46511	46518	46531	46528	46528	46528
Description	For 30-30	Bench Rest •Tapered	.32-20 Bullet	.32-40 •Tapered	.32-40 •Tapered	Super Long Range Bullet	.38-40	•Tapered	•Tapered	•Tapered
	40 CAL. RIFLES		44-40 WIN	44 SPL/44 MAG		45 COLT		45 CAL. RIFLES		
No.	*640	*740	444	446	429	954	955	*645	*745	*881
Designation	370gr.	410gr.	200gr. RNFP	200gr. RNFP	240gr. RNFP	230gr. RNFP	255gr. RNFP	480gr.	525gr.	500gr. RN
Sizing Die	.408/.410	.408/.410	.428	.430	.430	.452/.454	.452/.454	.458/.460	.458/.460	.458
Top Punch	40410	40410	44191	44191	44191	45424	45424	45525	45525	45525
◆ LR Top Punch	46532	46532	46538	46538	46538	46550	46550	46553	46553	46553
Description			.44-40	.44 Spec/Mag						M1881 Design

* Tapered Styled Bullets have the front band near bore diameter tapering to slightly larger than groove diameter. This style bullet was furnished by most of the old time barrel makers such as Harry Pope. This is a popular Schuetzen style bullet with rounded lube grooves.

* Due to length, diameter or weight, the moulds indicated are available in "Magnum" mould blocks only. ◆ Designates Lyman/RCBS style Top Punches

SAECO Bullet Moulds

All SAECO bullet moulds must be ordered with the SAECO bullet number. Illustrations not to scale.



WARNING:

WARNING: This product can expose you to lead, which is known to the State of California to cause cancer, birth defects, or other reproductive harm. For more information go to www.p65warnings.ca.gov

	22 CAL.	.243 CAL.	25 CAL.	6.5 mm	270 CAL.	7 mm				30 CAL.			
No.	221	243	257	264	270	281	070	071	073	302	254	316	
Designation	60gr. SPGC	85gr. TCGC	100gr. TCGC	140gr. SPGC	140gr. TCGC	145gr. FPGC	145gr. TCGC	160gr. TCGC	165gr. SPGC	120gr. RNGC	115gr. RNBB	150gr. FPGC	
Sizing Die	.225	.244	.258	.265	.278	.285	.285	.285	.285	.309	.309	.309	
Top Punch	22498	24243	25258	26264	27273	28311	28520	28520	28520	30467	30467	30530	
LR Top Punch	46500	46501	46502	46503	46504	46505	46506	46506	46506	46510	46510	46511	
Description	Works Well in .223 Semi Autos	For all .243 & .244 Cal.	.25 Cal. Silhouette		Two perfect 60's shot at Reg. 6 IHMSA	Standard for 7mm	Silhouette	200 meters Silhouette	Heavy 7mm Bullet	For 30 MI, GC	For 30 MI	For 30-30	
				31 CAL.	32 CAL.					8 mm	9 mm/38 SUPER		
No.	311	307	301	305	323	325	326	321	081	922	925		
Designation	165gr. TCGC	180gr. FPGC	196gr. TCGC	180gr. FPGC	95gr. WC	95gr. SWC	100gr. SWCBB	95gr. RN	190gr. RNGC	115gr. RNBB	115gr. SWCBB		
Sizing Die	.309	.309	.309	.311	.313	.313	.313	.313	.323/.324	.356	.356		
Top Punch	30301	30530	30301	30530	32323	32467	32467	32465	32467	35311	35925		
LR Top Punch	46508	46511	46508	46511	46512	46514	46514	46513	46514	46516	46526		
Description			Duplicates Original RG4	303 British	.Good .32 Long Target Bullet			.32 S&W Long	8 mm Rifle				
										9.2 mm	38/357-35 CAL.		
No.	377	384	115	924	383	928	929	910	930	940	052	053	
Designation	122gr. TCBB	122gr. RN	122gr. RNBB	124gr. SWCGC	140gr. SWC	145gr. RNBB	145gr. SWCBB	150gr. RN	154gr. SWCBB	100gr. RNBB	148gr. WCBB	148gr. WC	
Sizing Die	.356	.356	.356	.356	.356/.357	.356/.357	.356/.357	.356	.356/.357	.365	.358	.358	
Top Punch	35375	35311	35311	35925	35429	35311	35925	35311	35925	35465	35550	35381	
LR Top Punch	46519	46516	46516	46526	46522	46516	46526	46516	46526	46524	46525	46520	
Description	Good Ballistics for 9 mm	Good Feeding 9mm		Good Feeding SWC		38 Super	38 Super		38 Super Wilson Design	9mm Makarov	Target Bullet	GAR Design	
				375 CAL.	40 CAL./10 mm						41 CAL.		
No.	397	348	382	388	393	390	391	398	353	354	396	399	351
Designation	148gr. WCDBB	148gr. DBBWC	158gr. SWC	158gr. SWCBB	162gr. SWCGC	158gr. RN	158gr. RNBB	158gr. TC	180gr. FP	180gr. FPGC	180gr. TC	180gr. TCGC	200gr. FP
Sizing Die	.358	.358	.358	.358	.358	.358	.358	.358	.358	.358	.358	.358	.358
Top Punch	35344	35344	35429	35429	35429	35311	35311	35399	35353	35353	35399	35399	35399
LR Top Punch	46517	46517	46522	46522	46522	46516	46516	46521	46518	46518	46521	46521	46516
Description	148gr. Double Bevel Base WC	Single Groove DBB	Keith Design	Most Popular		Standard .38 Bullet			Super Long Range Bullet	GC Version of Popular 353			Heavy 357 Bullet
No.	356	395	352	373	040	043	045	047	048	416	419		
Designation	200gr. FPGC	200gr. TCGC	245gr. FPGC	265gr. FPGC	155gr. SWCBB	170gr. TCBB	170gr. SWCBB	200gr. TCBB	200gr. SWCBB	170gr. SWCBB	200gr. SWCBB		
Sizing Die	.358	.358	.358	.376	.401	.401	.401	.401	.401	.411	.411		
Top Punch	35353	35399	35399	37570	40048	40047	40048	40047	40048	41447	41447		
LR Top Punch	46516	46521	46516	46528	46530	46529	46530	46529	46530	46535	46535		
Description	Handgun Silhouette	Silhouette		Rifle	10mm Auto	10mm Auto	10mm Auto	10mm Auto	10mm Auto	41 Auto Petty Design	41 Auto Petty Design		

41 CAL. (continued)							44 CAL.				
No.	412	417	409	413	415	410	418	944	420	445	442
Designation	185gr. SWC	210gr. SWC	190gr. TC	210gr. TCBB	220gr. TCGC	220gr. FP	220gr. SWCBB	200gr. WC	200gr. TC	220gr. SWCBB	246gr. RN
Sizing Die	.411	.411	.411	.411	.411	.411	.411	.430	.430	.430	.430
Top Punch	41610	41610	41415	41415	41415	41415	41610	44944	44428	44191	44374
◆ LR Top Punch	46536	46536	46534	46534	46534	46534	46536	46544	46542	46538	46540
Description						Pistol Silhouette	Bevel Base Keith Style	GAR Design	Jim Hubert Design		Standard 44 Spec. Bullet

										45 CAL.		
No.	441	440	439	429	424	428	431	430	432	433	063	062
Designation	240gr. SWC	240gr. SWCBB	240gr. SWCGC	240gr. FP	240gr. TCGC	240gr. TC	250gr. FPGC	265gr. FP	265gr. FPGC	300gr. FPGC	160gr. SPL	170gr. SPLBB
Sizing Die	.430	.430	.430	.430	.430	.430	.430	.430	.430	.430	.452	.452
Top Punch	44421	44421	44421	44191	44428	44428	44191	44191	44191	44191	45452	45452
◆ LR Top Punch	46541	46541	46541	46538	46542	46542	46538	46538	46538	46538	46552	46552
Description	Standard Wt. 44 Mag Keith Style			Superb Long Range Bullet	GC Version of Popular 428	Most Popular Silhouette	444 Marlin	Superb Long Range Bullet		Silhouette	Behn Design	-V-MAXX .45 Behn Design

No.	065	130	131	066	068	069	058	265	067	456	457
Designation	180gr. SWCBB	185gr. SWC	185gr. SWCBB	180gr. SWC	200gr. SWCBB	200gr. SWC	215gr. SWCBB	210gr. RNWC	225gr. TCBB	225gr. RN	225gr. RNBB
Sizing Die	.452	.452	.452	.452	.452	.452	.452	.452	.452	.452	.452
Top Punch	45429	45421	45421	45429	45429	45429	45424	45265	45375	45701	45701
◆ LR Top Punch	46551	46549	46549	46551	46551	46551	46550	46547	46548	46556	46556
Description	Lt. Wt. IPSC	Most Popular Lt. Target			Most Popular Combat Bullet		Bowling Pin Bullet	Best Feeding .45 ACP		Standard Round Nose	

					45 CAL. RIFLE								
No.	453	945	458	452	454	015	*017	*018	*019	*023	*021	*022	*020
Designation	225gr. WC	255gr. SWCGC	255gr. SWC	255gr. SWC	300gr. SWCGC	300gr. FP	350gr. FPGC	405gr. FP	465gr. FPGC	375gr. SP	405gr. SPGC	500gr. FP	540gr. FPGC
Sizing Die	.452	.452	.452	.452	.452	.458	.458	.458	.458	.458	.458	.458	.458
Top Punch	45424	45424	45424	45424	45424	45015	45015	45015	45015	45702	45702	45525	45525
◆ LR Top Punch	46550	46550	46550	46550	46550	46545	46545	46545	46545	46557	46557	46553	46553
Description	Jan Libourel Design	For 45 Colt	For 45 Colt w/.452 Bore	For 45 Colt w/.454 Bore	Heavy .45 Colt & 454 Casull								

* Due to length, diameter or weight, the moulds indicated are available in "MAGNUM" mould blocks only.

◆ Designates Lyman/RCBS style Top Punches

Bullet Sizes & Weights – How to Vary Them

The bullet diameters and weights presented in this list are based on the use of Taracorp's Lawrence Magnum bullet alloy (2% tin, 6% antimony, 1/4% arsenic, 91.75% lead).

Bullet diameters and weights will vary considerably depending on the lead casting alloy used. This variation can be as much as 1/2% on the diameter, and 8% on the weight among the most commonly used casting alloys. For example, a .358-158 grain bullet might show a diameter variation of .002", and a 13 grain difference in weight.

Of the most commonly used alloys, wheel weights (.5% tin, 4% antimony, 95% lead) will produce bullets having the smallest diameter and heaviest weight, with such bullets running approximately 1/3% smaller in diameter and 3% heavier than bullets cast with Taracorp's metal. Linotype will produce bullets with the largest diameter and lightest weights. This alloy will

produce bullets approximately 1/10% larger and 3% lighter than Taracorp. Other alloys of tin and antimony, with antimony content above 5%, will produce bullets with diameters and weights falling between those cast from wheel weights and linotype.

Alloys containing little or no antimony will cast considerably smaller than wheel weights and in some cases will produce bullets too small for adequate sizing. Within the limitations given above, the weight and diameter of a cast bullet can be adjusted by varying the alloy's antimony content.

The size and weight of bullets of a given alloy will also vary according to casting temperature. Higher temperatures will result in greater shrinkage as the bullet cools, thereby producing a slightly smaller and lighter bullet than one cast of the same alloy at a lower temperature.

Gas Checks

SAECO has adopted the tapered form of gas check heel to minimize problems encountered with the use of various alloys and gas checks. SAECO bullets are designed to properly maintain the gas checks when cast with Lawrence Magnum Bullet Metal or linotype. Alloys producing smaller diameters may result in gas checks not seating properly. Bullet weights listed for gas check designs include the gas check weight.

Bevel Base Bullets

SAECO Bevel Base bullets have a slight bevel at the base of the bullet. This bevel helps guide the bullet into the cartridge case. A benefit of using bevel base bullets is that the case will require minimal bell-mouthing, and have a longer case life. Bevel base bullets are of course easier to seat.



Shooting Caps



Style "A"
No. 99955

Low Profile, six panel heavy brushed twill cap. Fabric Strap Adjuster with Velcro®, front and rear embroidery. Color Tan /Dark Green **\$ 24.00** ea.



Style "C"
No. 99960

Low Profile, six panel heavy brushed twill cap. Fabric Strap Adjuster with Velcro®, front and rear embroidery. Color: Dark Green **\$ 24.00** ea.



Style "B"
No. 99965

Low Profile, six panel distressed twill unstructured cap. Fabric Strap Adjuster with brass buckle, front and rear embroidery. Color: Stone Washed Green. **\$ 24.00** ea.



Style "D"
No. 99950

Low Profile, six panel Advantage® Timber cap. Fabric Strap Adjuster with brass buckle, front and rear embroidery. Color: Advantage® Timber **\$ 24.00** ea.



Style "P"
No. 99970

Low Profile, six panel chino twill unstructured cap. Fabric Strap Adjuster with brass buckle, front and rear embroidery. Color: Pink **\$ 24.00** ea.



Proceeds from Pink Cap supports Camp Good Days and Special Times Women's Oncology Programs

Official Redding Apparel now available, visit our website: www.redding-reloading.com



COMPETITION UPGRADE KIT

Includes competition operating handle and powder baffle. Fits all Model #3 and #3 Classic powder measures. NO. 03048 **\$ 30.00**



POWDER MEASURE MOUNTING BRACKET

For shelf mounting all powder measures with 7/8-14 body. NO. 03018 **\$ 20.50**



CASE PREPARATION KIT

All the tools you need in one package for removing dirt and powder residue from the inside of case necks and primer pockets. Kit comes complete with accessory handle, large and small primer pocket cleaners and three (3) case neck brushes to handle all cartridges from .22 thru .45 caliber.

- NO. 18000 **\$ 49.50**
- NO. 18005 Accessory Handle **14.50**
- NO. 99139 Lg. Pocket Cleaner **9.50**
- NO. 99138 Sm. Pocket Cleaner **9.50**
- NO. 99137 Lg. Neck Brush **7.00**
- NO. 99136 Med. Neck Brush **7.00**
- NO. 99135 Sm. Neck Brush **7.00**

DIE SPACER KIT

For use with combination die sets and all 7/8-14 reloading dies to quickly compensate for case length or make a no-crimp adjustment without the need to move the lock rings. Kit includes three spacers: No-crimp or partial resizing, 44 Spl/44 Mag spacer, 38 Spl/357 Mag spacer.



NO. 80901 **\$ 19.00**

POWDER FUNNEL

Nearly indestructible, super-tough Lexan™. Fits most cartridge cases from .22 to .45 caliber. Anti-static prevents powder from sticking. Not to be used with black powder.



NO. 13000 **\$ 13.50**

REDDING BRAND IMPERIAL SIZING DIE WAX

The original Imperial non-liquid sizing die wax, reformulated and manufactured by Redding. True to the original LeClear product of the 70's, even the classic green color. Packaged in 1 oz. tins.



- NO. 21022 (1 oz. tin) **\$ 13.00**
- NO. 21322 (2 oz. tin) **17.40**

POWDER MEASURE RESERVOIRS

Replacement powder reservoirs are available in three sizes with or without caps. The smallest shown is the same as originally supplied on your Redding powder measure. The intermediate is 7" over-all length and the largest available is 10".

These fit all models of Redding powder measures using a 2-1/8" O.D. reservoir.



NO. 99130 Original Reservoir	\$ 14.50
NO. 99333 Original Reservoir with cap	\$ 20.00
NO. 99157 7" Reservoir	\$ 20.00
NO. 99165 7" Reservoir w/ cap	\$ 24.60
NO. 99162 Long 10" Reservoir	\$ 24.60
NO. 99167 Long 10" Reservoir with cap	\$ 29.30
NO. 99101 Reservoir cap	\$ 7.00

INGOT MOULDS

The SAECO cast iron ingot mould will produce four easy-to-handle ingots. A perfect way to store blended alloys.



NO. 23000... \$ 44.80

DOUBLE "C" CLAMP

Now available in two sizes.

The original SAECO Double "C"

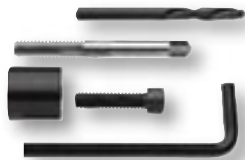
Clamp was designed as a convenient way to secure the SAECO lubrisizer to a bench top. The newest model is the ideal size for clamping the Redding powder measure stand and case trimmer to a bench top. Both units will accommodate a bench thickness of up to 2-1/4". May be used to mount any number of tools. Handy items for any reloading room.



NO. 30120 Lubrisizer Clamp (2-3/8" inside fingers) \$ 49.50

NO. 30520 Bench Stand/Trimmer Clamp (1-5/8" inside fingers) \$ 49.50

Note: NO. 30520 also fits Case Neck Gauge



STUCK CASE REMOVAL KIT

Sooner or later everyone does it. Too little case lubricant (or using ordinary oil) and the case seizes in the resizing die. Usually, the rim pulls off and it is almost impossible to remove the stuck case without damaging the die. This case removal kit provides an easy solution to your problems. Instructions included.

NO. 22000 \$ 42.00

RS-6 BENCH STAND

For convenient bench-top mounting of all Redding Powder Measures. Will also fit all other Powder Measures with 7/8-14 thread mounting. This bench stand is not threaded; it is secured with a lock ring which enables you to rotate the measure to any desired position and permits quick dump of the reservoir.

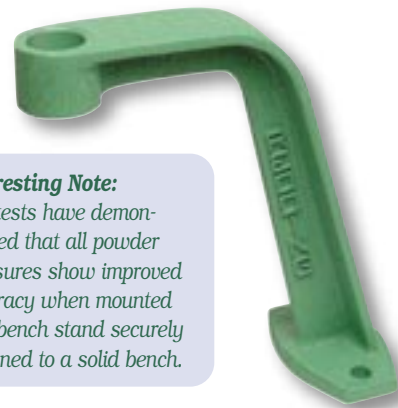
NO. 06000 \$ 71.00

CASE LUBE KIT

The most popular way to properly lubricate cases for resizing and case forming.

The bottom side of the pad includes non-skid feet so it won't skate all over your bench when you are using it. Kit now includes a 2 oz. plastic bottle of Imperial Bio-Green.

Redding Case Lube Kit NO. 12012 ... \$ 36.50
Case Lube Pad only NO. 12010 \$ 26.00
Replacement Insert NO. 12007 \$ 7.00



Interesting Note:

Our tests have demonstrated that all powder measures show improved accuracy when mounted in a bench stand securely fastened to a solid bench.

Spare Parts

The spare parts listed represent only the most commonly requested service parts. For price and availability of items not listed, please consult factory.

NO. RS-1 STANDARD POWDER SCALE

Pan (99107)	\$ 14.30
Pan Hook (01112)	9.80
Main Bearing** (99094)	14.30
Clean & recalibration**	25.30

NO. 2 MASTER POWDER SCALE

Pan (99107)	\$ 14.30
Pan Hook Assembly (02075)	15.80
Main Bearing** (99094)	14.30
Beam Assembly**	71.00
Clean & recalibration**	25.30

**Scale must be returned to factory for replacement, cleaning and recalibration. This service not available outside the United States.

PARTS FOR OLD STYLE TRIMMERS

(Models 13, 14, & 14K)	
Cutter Blade (Square or "V") specify	\$ 12.60
Pilots (No. 15 Split Shank)	12.60

BOSS PRESS

Boss Primer Catcher (99206)	\$ 13.60
-----------------------------	----------

T-7 TURRET PRESS & BIG BOSS

Turret, 7 station w/bushing (67002)	\$ 149.50
Big Boss Primer Catcher (99206)	13.60

NO. 3 & 3BR POWDER MEASURES

Drop Tube (03003)	\$ 9.80
Lock Screw (03007)	5.60
Cap only (99101)	7.00
Reservoir Screws (99088)	.80
Comp. Style Operating Handle (03038)	25.30
Drop Tube Adapter .17 & .20 cal. (03817)	17.50
Powder Baffle (03080)	10.30

NO. 1400 CASE TRIMMER

TiN Cutter (specify standard or .17 cal.)	\$ 45.00
Shaft Only (14030)	19.00
Collet (99300)	33.50
Collet, 470 Nitro (99301)	33.50
Pilots (Solid Shank Style)	9.50

NO. 12 CASE LUBE PAD

Foam Pad Insert (12007)	\$ 7.00
Adhesive Non-skid Feet (4) (12008)	2.60

NO. 10 MISCELLANEOUS DIE PARTS

Die Spacer Rings - each	\$ 8.00
Large Die Storage Box	12.50
Individual Die Storage Box (01103)	6.60
Small Lock Rings	4.40
Body Lock Ring 7/8"-14 (01016)	7.30
Decap Pins (Pkg. of 10) lg. or sm.	9.50

*The Finest Ammunition in the World Comes From
Your Hands and Our Tools!*



SAECO
BULLET CASTING PRODUCTS



Imperial
Lubricants



*Lifetime
Warranty*

All Redding Reloading Equipment has been carefully inspected prior to shipment and is fully warranted to be free from defects in materials and workmanship for life. Imperial and SAECO products now manufactured by Redding carry the same warranty.

Any product or parts which prove to be defective will be replaced or repaired without charge if returned prepaid to the factory.

Note: We reserve the right to decline responsibility where misuse or careless handling is evident or where repairs or modifications have been made or attempted by others.

REDDING
RELOADING EQUIPMENT

1089 Starr Road, Cortland, NY 13045
(607) 753-3331 • FAX (607) 756-8445
Website: <http://www.redding-reloading.com>
E-mail: techline@redding-reloading.com